



## Carlo Gavazzi EM110DINAV81X01X - Summary Sheet

### Summary

The EM110 is the smallest DIN Rail meter supplied by Carlo Gavazzi. It is accurate to class 1 and measures kWh on a 6+1 mechanical display.

This is a basic but reliable kWh meter capable of monitoring consumption on loads of up to 45 Amps.

In addition this unit has one pulsed output which is proportional to KWh consumption.

N.B. This meter can be fitted into a DIN Rail enclosure. [Click here](#) to see our full range of Enclosures.

### Product Code

**SPDCGEM1100**

### Meter Type

**Single Phase**

### Fitting Type

**DIN Rail**

### Max Current (Amps)

**45**

### MID Approved

**No**

### Smart

**No**

### Input Type

**Direct Connect**

### Output Type

**Pulse**

### Tariffs

**Single**

### Import / Export

**Import Only**

### Module Width

**1**

### Availability

**Next Day**

### Condition

**New**

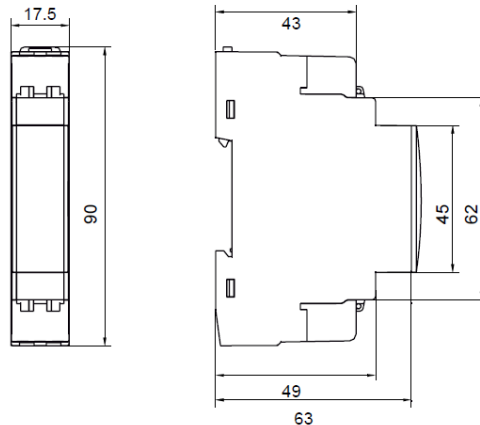
### Brand

**Carlo Gavazzi**

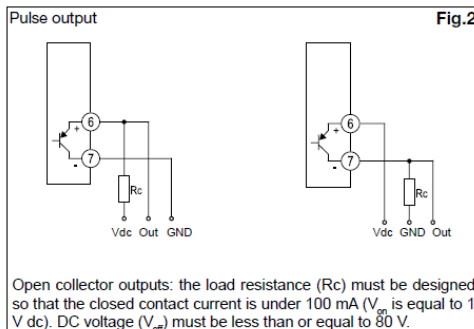
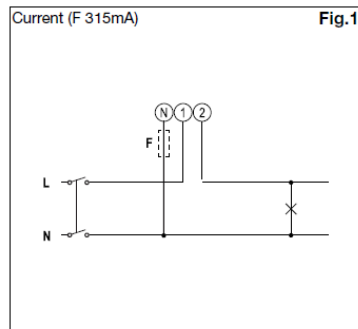
### Country of Manufacture

**Italy**

### Dimensions



### Wiring Diagram



**Web: [www.spwales.com](http://www.spwales.com) | Email: [sales@spwales.com](mailto:sales@spwales.com) | Phone: 01803 295430 | Fax: 01803 212819**

While Stephen P Wales Ltd has made every reasonable effort to ensure the accuracy of this information, Stephen P Wales Ltd does not guarantee that it is error-free, nor does Stephen P Wales Ltd make any other representation, warranty or guarantee that the information is accurate, correct, reliable or current. Stephen P Wales Ltd reserves the right to make any adjustments to the information contained herein at any time without notice.