



Carlo Gavazzi EM111DINAV81X01X - Summary Sheet

Summary

The EM111 is the smallest DIN rail meter supplied by Carlo Gavazzi and comes with a 7 digit LCD display. This meter is accurate to class 1 and displays both import and export energy and can record readings on two separate tariffs.

This reliable meter is capable of monitoring consumption on loads of up to 45 Amps. The readable parameters are Energy (kWh), Active Power (W), Reactive Energy (kVAh), Voltage (V), Current (I), Power Factor (pf), Frequency (Hz), kW demand and kW demand peak.

In addition this unit has one pulsed output which is proportional to kWh consumption.

N.B. This meter can be fitted into a DIN Rail enclosure. [Click here](#) to see our full range of Enclosures.

Product Code

SPDCGEM1110

Meter Type

Single Phase

Fitting Type

DIN Rail

Max Current (Amps)

45

MID Approved

No

Smart

No

Input Type

Direct Connect

Output Type

Pulse

Tariffs

Dual

Import / Export

Import & Export

Module Width

1

Availability

Next Day

Condition

New

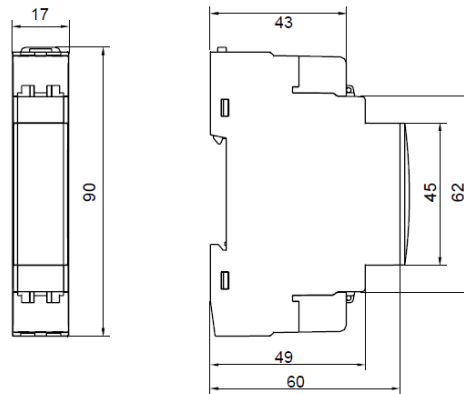
Brand

Carlo Gavazzi

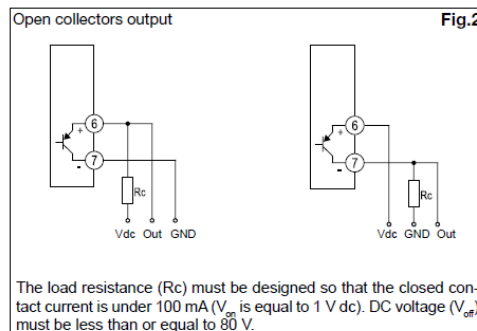
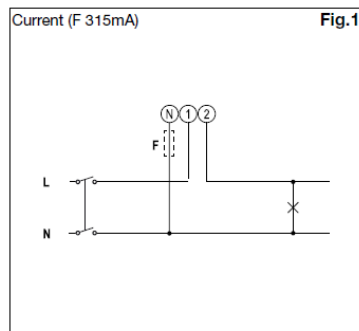
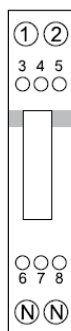
Country of Manufacture

Italy

Dimensions



Wiring Diagram



Web: www.spwales.com | Email: sales@spwales.com | Phone: 01803 295430 | Fax: 01803 212819

While Stephen P Wales Ltd has made every reasonable effort to ensure the accuracy of this information, Stephen P Wales Ltd does not guarantee that it is error-free, nor does Stephen P Wales Ltd make any other representation, warranty or guarantee that the information is accurate, correct, reliable or current. Stephen P Wales Ltd reserves the right to make any adjustments to the information contained herein at any time without notice.