



Crompton M3N1 3-in-1 Current Transformers - Summary Sheet

A compact and convenient solution for three phase systems, the M3N1 3 Phase CT from Crompton Instruments is suitable for primary ranges from 100A-630A with a 5A secondary and is available in three case sizes to suit most installations.

It is supplied with plug-in metal feet for wall or base mounting and also supports busbar & DIN-rail mounting. They boast class 0.5 accuracy, (subject to ration & burden), and can be directly installed next to a three-phase moulded case circuit breaker, thus saving installation time where fitting three standard individual current transformers would be required.

N.B. No CT cable is supplied with this product, please purchase separately if required.

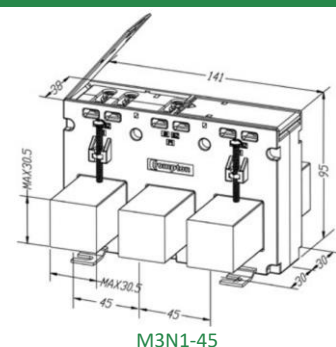
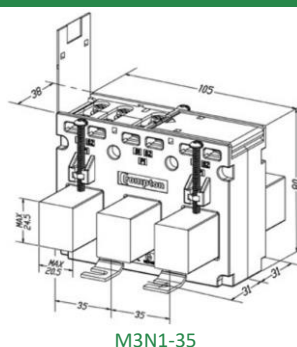
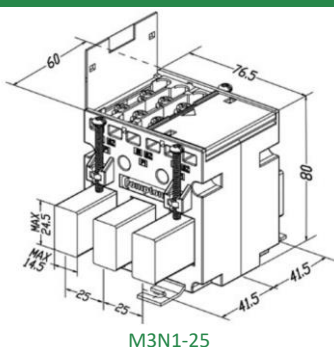
Specification

CT Type	Solid Core
Lead Length	Not Included (available separately)
Operating Temperature	-20°C to +85°C
Flame Retardant Properties	UL 94V-O
Certification	CE

Range

SPW Part Code	Manufacturer Part Code	Ratio	Aperture	Burden Against Class Index		
				Class 0.5	Class 1	Class 3
CT60TP25	M3N1-25-60/5	60/5A	3 @ 15 x 25mm	-	1VA	2VA
CT100TP25	M3N1-25-100/5	100/5A	3 @ 15 x 25mm	-	1.5VA	2.5VA
CT125TP25	M3N1-25-125/5	125/5A	3 @ 15 x 25mm	-	1.5VA	2.5VA
CT150TP25	M3N1-25-150/5	150/5A	3 @ 15 x 25mm	1.5VA	1.5VA	2.5VA
CT160TP25	M3N1-25-160/5	160/5A	3 @ 15 x 25mm	1.5VA	1.5VA	2.5VA
CT100TP35	M3N1-35-100/5	100/5A	3 @ 21 x 25mm	-	1.5VA	2VA
CT125TP35	M3N1-35-125/5	125/5A	3 @ 21 x 25mm	-	1.5VA	2.5VA
CT150TP35	M3N1-35-150/5	150/5A	3 @ 21 x 25mm	-	1.5VA	2.5VA
CT160TP35	M3N1-35-160/5	160/5A	3 @ 21 x 25mm	1.5VA	1.5VA	2.5VA
CT200TP35	M3N1-35-200/5	200/5A	3 @ 21 x 25mm	1.5VA	1.5VA	2.5VA
CT250TP35	M3N1-35-250/5	250/5A	3 @ 21 x 25mm	1.5VA	1.5VA	2.5VA
CT250TP45	M3N1-45-250/5	250/5A	3 @ 31 x 31mm	1.5VA	1.5VA	2.5VA
CT300TP45	M3N1-45-300/5	300/5A	3 @ 31 x 31mm	2.5VA	2.5VA	3.75VA
CT400TP45	M3N1-45-400/5	400/5A	3 @ 31 x 31mm	2.5VA	2.5VA	3.75VA
CT500TP45	M3N1-45-500/5	500/5A	3 @ 31 x 31mm	2.5VA	2.5VA	3.75VA
CT600TP45	M3N1-45-600/5	600/5A	3 @ 31 x 31mm	2.5VA	2.5VA	3.75VA
CT630TP45	M3N1-45-630/5	630/5A	3 @ 31 x 31mm	2.5VA	2.5VA	3.75VA

Dimensions



Web: www.spwales.com | Email: sales@spwales.com | Phone: 01803 295430 | Fax: 01803 212819

While Stephen P Wales Ltd has made every reasonable effort to ensure the accuracy of this information, Stephen P Wales Ltd does not guarantee that it is error-free, nor does Stephen P Wales Ltd make any other representation, warranty or guarantee that the information is accurate, correct, reliable or current. Stephen P Wales Ltd reserves the right to make any adjustments to the information contained herein at any time without notice.