



### Crompton MSC2 Split Core Current Transformer - Summary Sheet

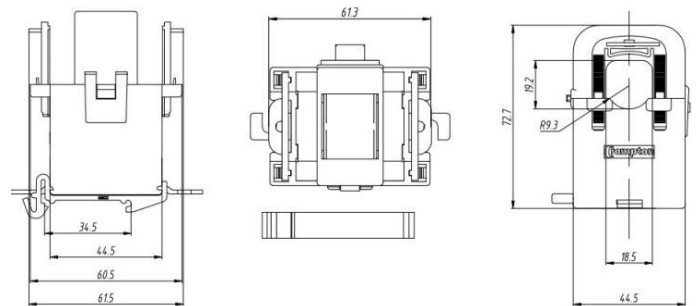
This range of miniature split core current transformers from Crompton are quick and easy to install and come with colour coded secondary leads. Boasting class 1 accuracy, they are supplied with a fixing kit and a shorting link for safe installation.

The MSC2 series has an 18mm aperture and support loads from 100A to 250A with either a 5A or 1A secondary.

#### Specification

CT Type	Split Core
Aperture	18mm
Accuracy Class	Class 1
Burden	1VA
Operating Temperature	-20°C to +70°C
Flame Retardant Properties	UL 94V-0
Certification	CE

#### Dimensions



#### Range

SPW Part Code	Manufacturer Part Code	Ratio	Lead Length
CT100MSC2-1	MSC2-100/1	100/1	3m
CT100MSC2	MSC2-100/5	100/5	1m
CT150MSC2-1	MSC2-150/1	150/1	3m
CT150MSC2	MSC2-150/5	150/5	1m
CT200MSC2-1	MSC2-200/1	200/1	3m
CT200MSC2	MSC2-200/5	200/5	1m
CT250MSC2-1	MSC2-250/1	250/1	3m
CT250MSC2	MSC2-250/5	250/5	1m

#### Related Products



T24 – Split Core Current Transformer



T36 – Split Core Current Transformer



Crompton XL1B – Single Phase Current Transformer

**Web: [www.spwales.com](http://www.spwales.com) | Email: [sales@spwales.com](mailto:sales@spwales.com) | Phone: 01803 295430 | Fax: 01803 212819**

While Stephen P Wales Ltd has made every reasonable effort to ensure the accuracy of this information, Stephen P Wales Ltd does not guarantee that it is error-free, nor does Stephen P Wales Ltd make any other representation, warranty or guarantee that the information is accurate, correct, reliable or current. Stephen P Wales Ltd reserves the right to make any adjustments to the information contained herein at any time without notice.