

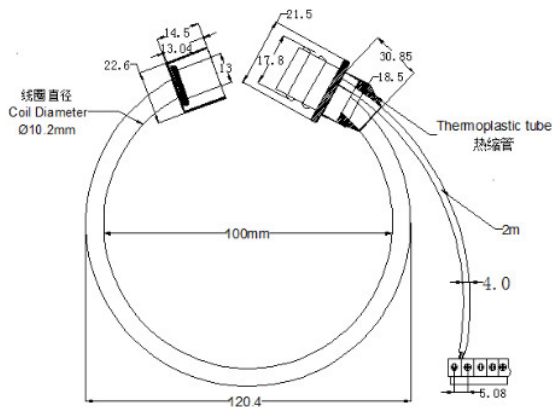


Rogowski Coils – 0.333V Output

Our range of Rogowski Coils, (frequently referred to as flexible CT's), are an ideal alternative to traditional current transformers where fitting into tight electrical panels is required. They can only be used with meters that have a corresponding 0.333V input, (see below for our full range). They require a 12-30V DC power supply to operate which can be purchased separately.

We can supply single phase, custom length and custom range Rogowski coils upon request. Simply call or email our friendly sales team who will be happy to help.

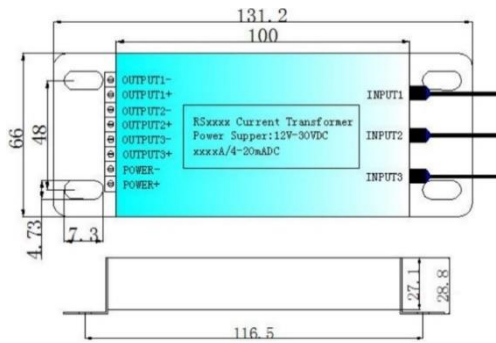
Coil Dimensions



Specification

Measurement Range	Part Code	Max. Load
	CTR250TP	250A
	CTR500TP	500A
	CTR1000TP	1000A
	CTR2500TP	2500A
	CTR5000TP	5000A
Measurement Range %	5 - 120%	
Power Frequency	45 - 60 Hz	
Rated Output	0.333V	
Supply Voltage	12 - 30V DC	
Power Consumption	< 30 mA	
Accuracy	≤ 1%	
Operating Temperature	-25 to +70°C	
Response Time	≤ 1ms	
Coil Length	510mm	
Lead Length	1m	

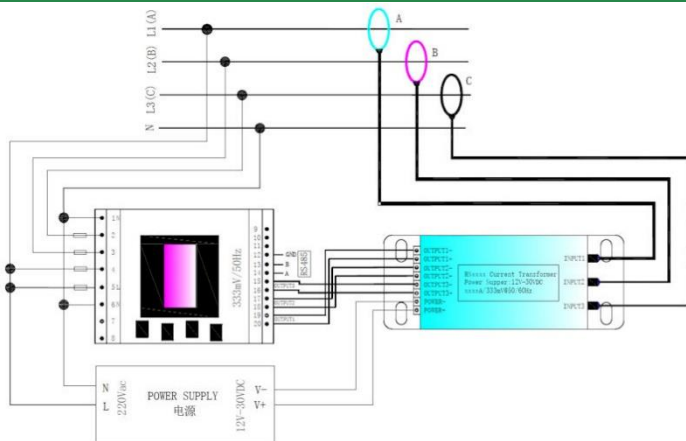
Integrator Dimensions



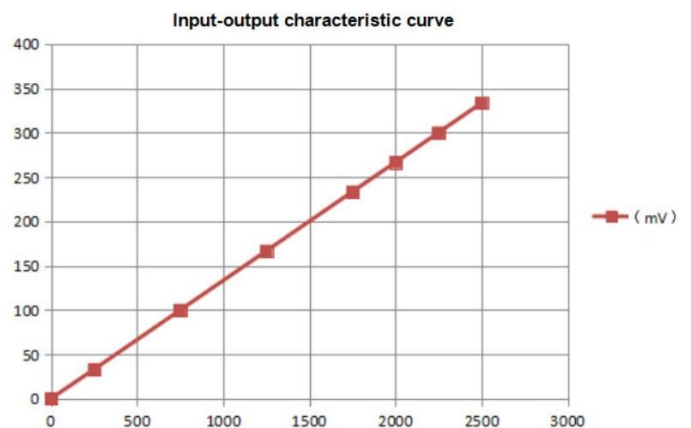
Compatible Meters

Part Code	Meter	Link
TPDEA630CTV	Eastron SDM630CTV	View
TPDND350V/M	ND Metering Rail 350	View
TPPND350V/M/IP	ND Metering Cube 350	View
TPPND400V/M/MH/IP	ND Metering Cube 400	View
n/a	ND Metering Multicube Mod.	View

Wiring Guide



Characteristics Chart



Web: www.spwales.com | Email: sales@spwales.com | Phone: 01803 295430 | Fax: 01803 212819

While Stephen P Wales Ltd has made every reasonable effort to ensure the accuracy of this information, Stephen P Wales Ltd does not guarantee that it is error-free, nor does Stephen P Wales Ltd make any other representation, warranty or guarantee that the information is accurate, correct, reliable or current. Stephen P Wales Ltd reserves the right to make any adjustments to the information contained herein at any time without notice.