



Crompton XL1B Current Transformers - Summary Sheet

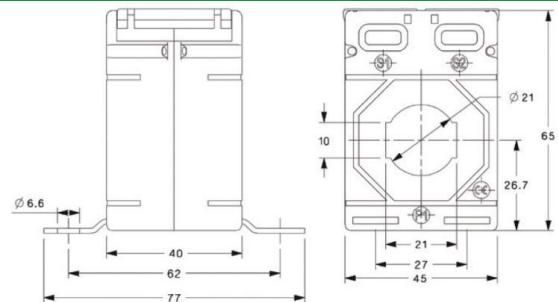
Compact and cost effective, the XL1B range from Crompton offers primary ranges from 50A-400A with a 5A secondary. It is supplied with plug-in metal feet for wall or base mounting and also supports busbar & DIN-rail mounting. They boast class 0.5 accuracy, (subject to ration & burden).

N.B. No CT cable is supplied with this product, please purchase separately if required.

Specification

| | |
|----------------------------|-------------------------------------|
| CT Type | Solid Core |
| Aperture | 21mm |
| Lead Length | Not Included (available separately) |
| Operating Temperature | -20°C to +45°C |
| Flame Retardant Properties | UL 94V-0 |
| Certification | CE |

Dimensions



Range

| SPW Part Code | Manufacturer Part Code | Ratio | Burden Against Class Index | | |
|---------------|------------------------|--------|----------------------------|---------|---------|
| | | | Class 0.5 | Class 1 | Class 3 |
| CT50 | XL1B-50/5A | 50/5A | - | 1.5VA | 2VA |
| CT60 | XL1B-60/5A | 60/5A | - | 1.5VA | 2VA |
| CT75 | XL1B-75/5A | 75/5A | - | 2.5VA | 3VA |
| CT80 | XL1B-80/5A | 80/5A | 1VA | 2.5VA | 3VA |
| CT100 | XL1B-100/5A | 100/5A | 1.5VA | 3.75VA | 3.75VA |
| CT120 | XL1B-120/5A | 120/5A | 1.5VA | 3.75VA | 3.75VA |
| CT125 | XL1B-125/5A | 125/5A | 2.5VA | 3.75VA | 5VA |
| CT150 | XL1B-150/5A | 150/5A | 2.5VA | 5VA | 5VA |
| CT200 | XL1B-200/5A | 200/5A | 3.75VA | 5VA | 5VA |
| CT250 | XL1B-250/5A | 250/5A | 5VA | 5VA | 7.5VA |
| CT300 | XL1B-300/5A | 300/5A | 5VA | 5VA | 7.5VA |
| CT400 | XL1B-400/5A | 400/5A | 5VA | 5VA | 7.5VA |

Related Products



T24 – Split Core Current Transformer



T36 – Split Core Current Transformer



Crompton M3n1 – 3-in-1 Current Transformer

Web: www.spwales.com | Email: sales@spwales.com | Phone: 01803 295430 | Fax: 01803 212819

While Stephen P Wales Ltd has made every reasonable effort to ensure the accuracy of this information, Stephen P Wales Ltd does not guarantee that it is error-free, nor does Stephen P Wales Ltd make any other representation, warranty or guarantee that the information is accurate, correct, reliable or current. Stephen P Wales Ltd reserves the right to make any adjustments to the information contained herein at any time without notice.