



**XL4B+ RANGE**

**Case size:** 74 mm wide x 45 mm deep x 98 mm high

**Aperture:** 31 x 15 mm - 21 x 21 mm - Ø 26 mm

**Primary Rating:** 100 - 800A

**Secondary Rating:** 5A as below, 1A Ratio's available change part number to end in 1A e.g. XL4B-100/1A-0.2

Part number	Primary current	Accuracy			Security Factor (ISF)		
		0.2	0.2S	0.5S	0.2	0.2S	0.5S
XL4B-100/5A-**	100A	1.5VA	1.5VA	1.5VA	15	5	5
XL4B-120/5A-**	120A	1.5VA	1.5VA	1.5VA	15	5	5
XL4B-125/5A-**	125A	1.5VA	1.5VA	1.5VA	15	5	5
XL4B-150/5A-**	150A	1.5VA	1.5VA	1.5VA	15	5	5
XL4B-200/5A-**	200A	2.5VA	2.5VA	2.5VA	15	5	5
XL4B-250/5A-**	250A	2.5VA	2.5VA	2.5VA	10	5	5
XL4B-300/5A-**	300A	5VA	2.5VA	2.5VA	10	10	10
XL4B-400/5A-**	400A	7.5VA	5VA	5VA	10	10	10
XL4B-500/5A-**	500A	10VA	5VA	5VA	10	10	10
XL4B-600/5A-**	600A	15VA	5VA	5VA	10	10	10
XL4B-750/5A-**	750A	20VA	7.5VA	7.5VA	10	10	10
XL4B-800/5A-**	800A	30VA	10VA	10VA	10	10	10

Replace \*\* with required class accuracy



**XL4C+ RANGE**

**Case size:** 74 mm wide x 45 mm deep x 98 mm high

**Aperture:** 41 x 12.5 mm - 31 x 31 mm - Ø 35 mm

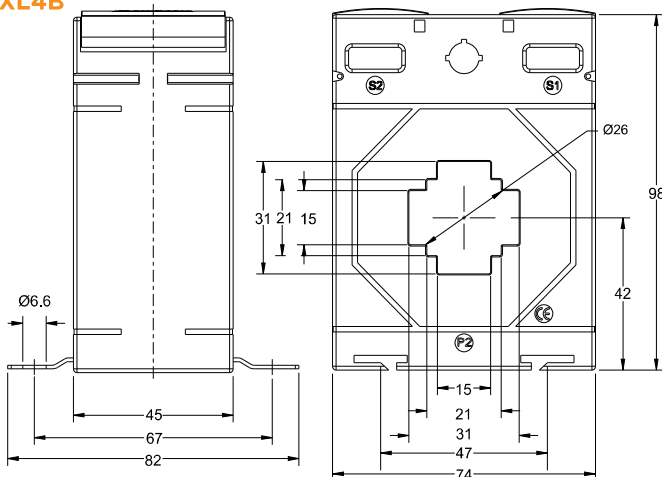
**Primary Rating:** 100 - 1000A

**Secondary Rating:** 5A as below, 1A Ratio's available change part number to end in 1A e.g. XL4C-100/1A-0.2S

Part number	Primary current	Accuracy			Security Factor (ISF)		
		0.2	0.2S	0.5S	0.2	0.2S	0.5S
XL4C-100/5A-**	100A	-	1VA	1VA	-	5	5
XL4C-120/5A-**	120A	-	1VA	1VA	-	5	5
XL4C-125/5A-**	125A	-	1VA	1VA	-	5	5
XL4C-150/5A-**	150A	-	1.5VA	1.5VA	-	5	5
XL4C-200/5A-**	200A	2.5VA	2.5VA	2.5VA	10	5	5
XL4C-250/5A-**	250A	3.75VA	5VA	5VA	10	5	5
XL4C-300/5A-**	300A	5VA	5VA	5VA	5	5	5
XL4C-400/5A-**	400A	10VA	5VA	5VA	5	5	5
XL4C-500/5A-**	500A	10VA	5VA	5VA	5	5	5
XL4C-600/5A-**	600A	15VA	5VA	5VA	5	10	10
XL4C-750/5A-**	750A	15VA	5VA	5VA	5	10	10
XL4C-800/5A-**	800A	15VA	7.5VA	7.5VA	5	5	5
XL4C-1000/5A-**	1000A	15VA	10VA	10VA	5	5	5

Replace \*\* with required class accuracy

**XL4B**



**XL4C**

