



## Iskra ME382 with MeterPay - Summary Sheet

### Summary

Introducing the Iskra ME382 with MeterPay, The Smart Solution to Secondary Prepayment.

MeterPay offers landlords and building managers a smart solution to prepayment, enabling easy management of all their meters in one secure online portal. Payments are made online or by phone, with funds being distributed directly to the building owner.

Benefits to landlords include:

- The most secure prepayment solution.
- Simple remote meter management.
- No more coin collection.
- No more card distribution.

Benefits to tenants include:

- Online or telephone payment option.
- Automatic recharge function.
- Usage data including consumption charts.

### Product Code

ME382MP

### Power Supply

Single Phase

### Payment Type

Online | Phone

### Max Current (Amps)

100

### MID Approved

Yes

### Smart

Yes

### Tariffs

Single | Dual

### Availability

Next Day

### Condition

New

### Brand

Iskra

### Country of Manufacture

Slovenia

### Width

132.0mm

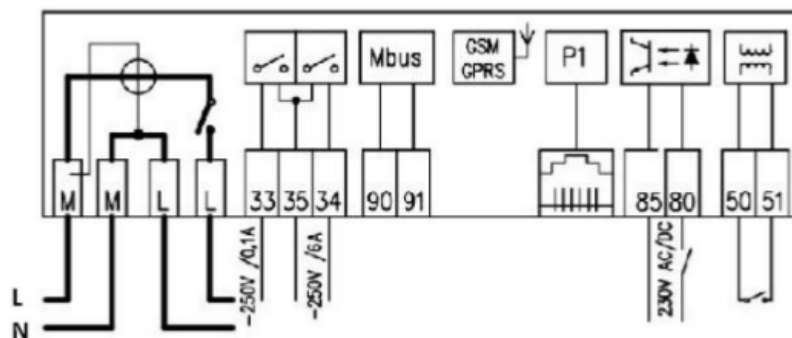
### Height

180.7/223.5mm

### Depth

82.0mm

### Wiring Guide



### Prepayment Meters Compared

	MeterPay	Card Meters	Coin Meter
Secure from theft	✓	✓	✗
Secure from fraud	✓	✗	✓
Remote meter management	✓	✗	✗

**Web:** [www.spwales.com](http://www.spwales.com) | **Email:** [sales@spwales.com](mailto:sales@spwales.com) | **Phone:** 01803 295430 | **Fax:** 01803 212819

While Stephen P Wales Ltd has made every reasonable effort to ensure the accuracy of this information, Stephen P Wales Ltd does not guarantee that it is error-free, nor does Stephen P Wales Ltd make any other representation, warranty or guarantee that the information is accurate, correct, reliable or current. Stephen P Wales Ltd reserves the right to make any adjustments to the information contained herein at any time without notice.