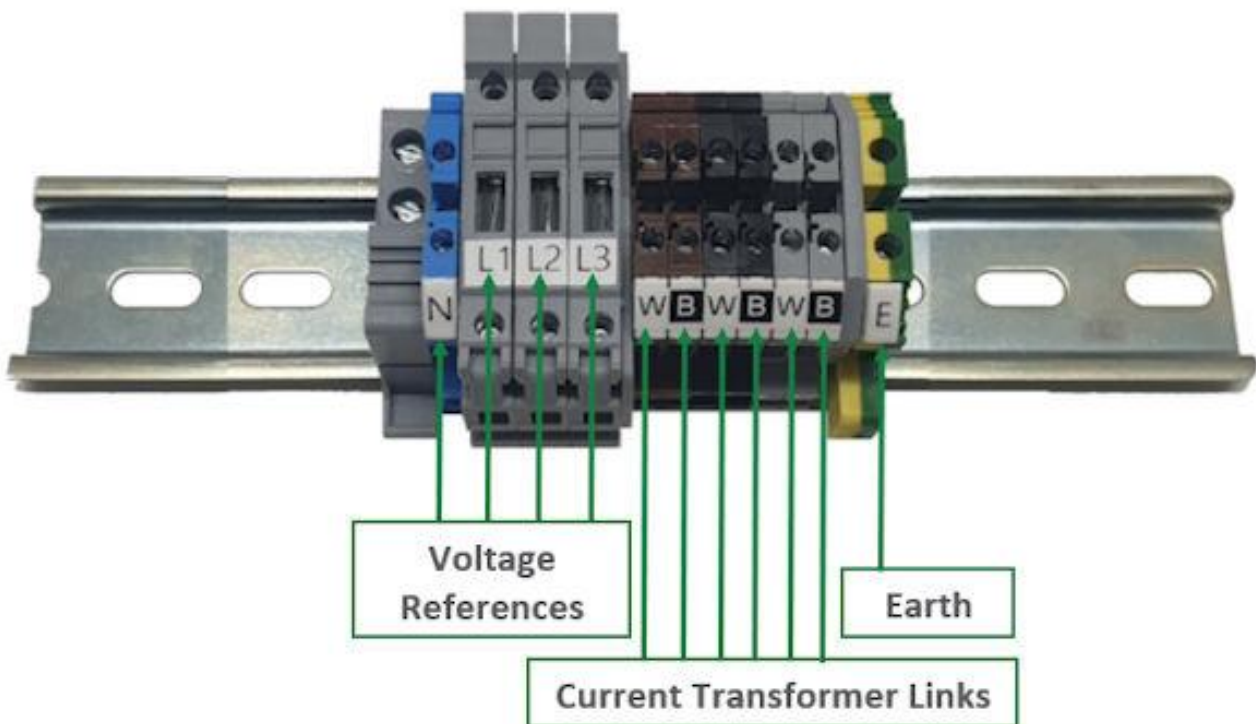




Three Phase Wall Mounted Metering Kit – Wiring Guide

- Our Metering Kits should only be installed by a qualified electrician.
- Voltage references and the neutral connection must be wired to the appropriate terminals in the enclosure, (1m of 1.5mm stranded cable in both blue, brown, black & grey supplied).
- The current transformers supplied can simply be opened and clipped around the cable of the supplies to be measured. Ensure the orientation of the current transformer matches the flow of energy, (see arrow on inside of CT). Connect the S1 / White cable in to the + / White terminals and the S2 / Black cable in to the - / Black terminals.
- We recommend connecting the enclosure to an earthing point using the earthing terminal supplied, (1m of 2.5mm stranded earth cable supplied).
- Upon powering up, we recommend confirming voltage and current are reading as expected.

Wiring Guide



Web: www.spwales.com | Email: sales@spwales.com | Phone: 01803 295430 | Fax: 01803 212819

While Stephen P Wales Ltd has made every reasonable effort to ensure the accuracy of this information, Stephen P Wales Ltd does not guarantee that it is error-free, nor does Stephen P Wales Ltd make any other representation, warranty or guarantee that the information is accurate, correct, reliable or current. Stephen P Wales Ltd reserves the right to make any adjustments to the information contained herein at any time without notice.