



Acrel ADL200 - Summary Sheet

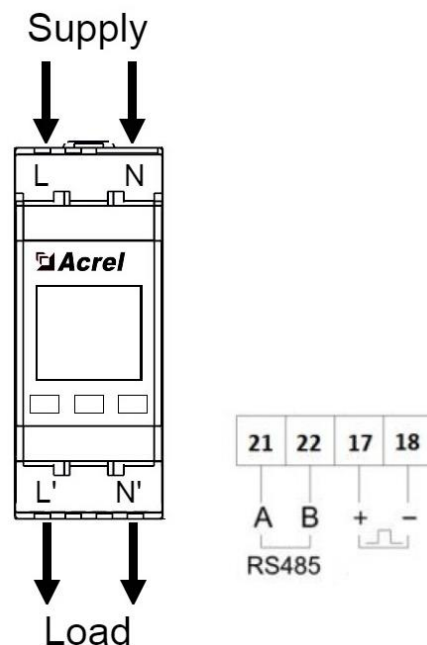
This 80A direct connect DIN Rail meter is for use with single phase supplies and measures electrical parameters including Current (I), Voltage (V), Power (kW/KVA/KVAr), Power Factor (PF), Frequency (Hz), Imported, Exported and Total Energy (kWh/kVArh).

It's MID approved, allowing it to be used for billing applications and is highly accurate, (Class B, ±1%). With both a Pulse Output and RS485 Modbus RTU it can be integrated with BMS or remote monitoring systems.

Specification

Meter Type	Single Phase
Fitting Type	DIN Rail
Max. Current (Amps)	80
MID Approved	Yes
Smart	No
Input Type	Direct Connect
Output Type	Pulse / Modbus
Tariffs	Single
Import / Export	Import & Export
Accuracy Class	B (Cl. 1)
Max. Cable Size	25mm
Module Width	2
Availability	Next Day

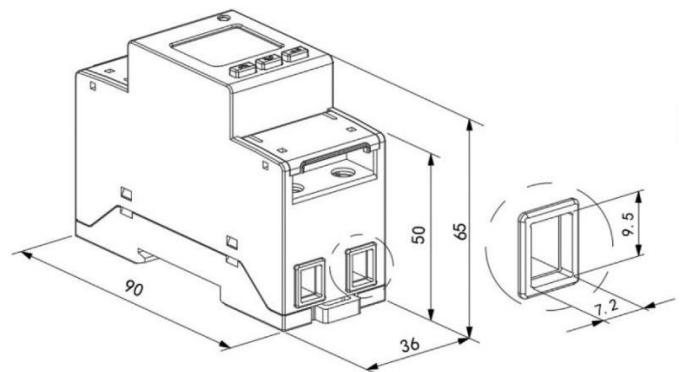
Wiring Diagram



Measured Parameters

Active Energy (kWh)	✓	Frequency (Hz)	✓
Active Power (W)	✓	Hours Run (hr)	✗
Apparent Energy (kVAh)	✓	Maximum Current (I)	✗
Apparent Power (VA)	✓	Maximum Power Demands (W)	✗
Average Current (I)	✗	Maximum Voltage (V)	✗
Average Power Demands (W)	✗	Power Factor (PF)	✓
Average Voltage (V)	✗	Reactive Energy (kVArh)	✓
Current (I)	✓	Reactive Power (VAr)	✓
Current in Neutral (I)	✗	Voltage (V)	✓

Dimensions



Web: www.spwales.com | Email: sales@spwales.com | Phone: 01803 295430 | Fax: 01803 212819

While Stephen P Wales Ltd has made every reasonable effort to ensure the accuracy of this information, Stephen P Wales Ltd does not guarantee that it is error-free, nor does Stephen P Wales Ltd make any other representation, warranty or guarantee that the information is accurate, correct, reliable or current. Stephen P Wales Ltd reserves the right to make any adjustments to the information contained herein at any time without notice.