



Eastron SDM120A - Summary Sheet

Summary

The Eastron SDM120A is a simple 45A DIN Rail meter, perfect for low load applications such as monitoring heat pump consumption for RHI or caravan sites.

It's MID approved, making it suitable for billing applications and has Class B accuracy, (equivalent to Class 1). It features a roller dial display, ideal for applications where the power supply may be switched off at times.

It simply measures kWh's consumed and is only one module wide. It comes with a single pulse output set at 1000 IMP/kWh.

Product Code

SPDEA120A

Meter Type

Single Phase

Fitting Type

DIN Rail

Max Current (Amps)

45

MID Approved

Yes

Smart

No

Input Type

Direct Connect

Output Type

Pulse

Tariffs

Single

Import / Export

Import Only

Module Width

1

Availability

Next Day

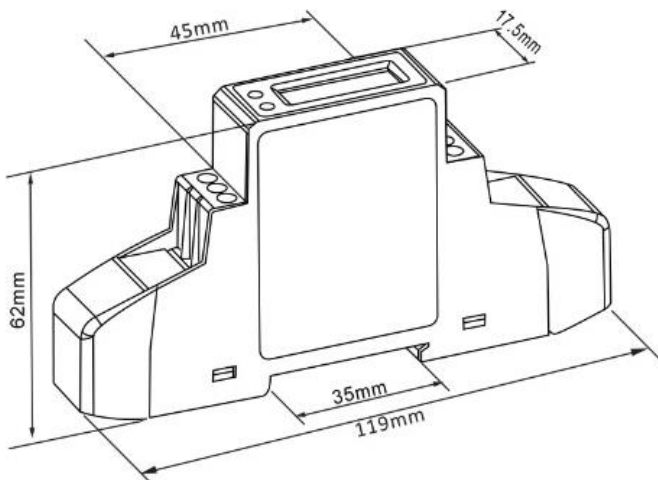
Brand

Eastron

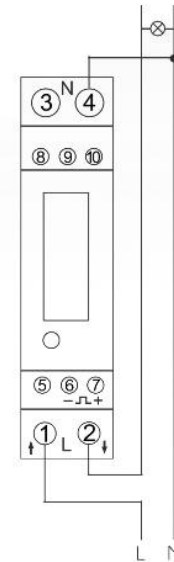
Country of Manufacture

China

Dimensions



Wiring Diagram



Web: www.spwales.com | Email: sales@spwales.com | Phone: 01803 295430 | Fax: 01803 212819

While Stephen P Wales Ltd has made every reasonable effort to ensure the accuracy of this information, Stephen P Wales Ltd does not guarantee that it is error-free, nor does Stephen P Wales Ltd make any other representation, warranty or guarantee that the information is accurate, correct, reliable or current. Stephen P Wales Ltd reserves the right to make any adjustments to the information contained herein at any time without notice.