



Eastron SDM120CT - Summary Sheet

The Eastron SDM120CT is our smallest CT operated meter. It's MID approved, making it suitable for billing applications and has Class B accuracy, (equivalent to Class 1).

Just one module wide, it's easy-read Back Lit LCD screen displays Active Energy (kWh), Reactive Energy (kVarh), Active Power, (W), Reactive Power (Var), Apparent Power (VA), Voltage (V), Current (I), Power Factor, Demand and Frequency.

It measures both imported & exported energy and dependant on the model selected, comes with either Pulse, Modbus or Mbus outputs, ideal for integration into a BMS system or metering gateway.

Specification

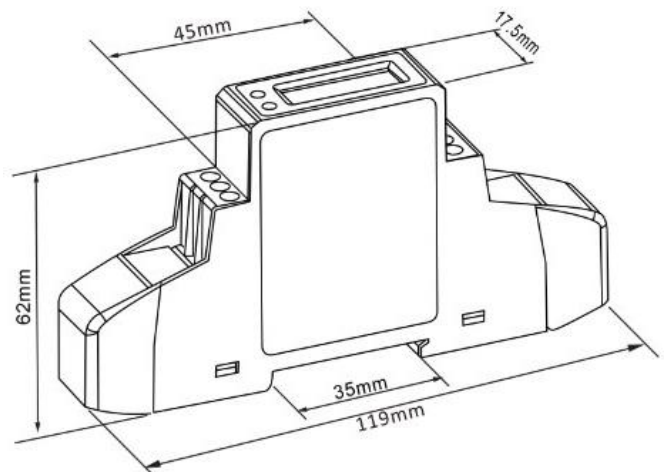
Meter Type	Single Phase
Fitting Type	DIN Rail
Max. Current (Amps)	5
MID Approved	Yes
Smart	No
Input Type	Current Transformer
Output Type	Modbus / Mbus *
Tariffs	Single
Import / Export	Import & Export
Accuracy Class	B (Cl. 1)
Module Width	1
Availability	Next Working Day
Brand	Eastron
Country of Manufacture	China

* Dependant on model selected

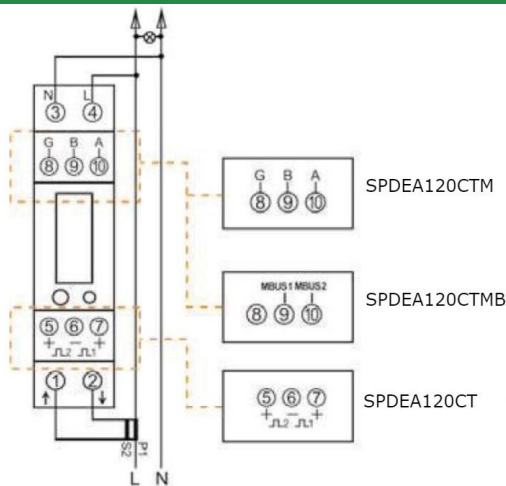
Model Variants

SPDEA120CT	Pulse Output
SPDEA120CTM	Modbus & Pulse Output
SPDEA120CTMB	Mbus & Pulse Output

Dimensions

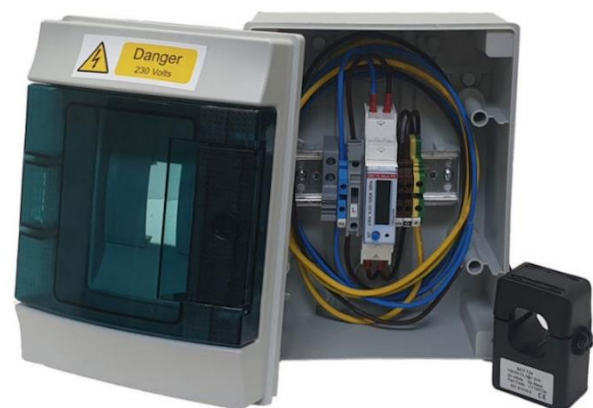


Wiring Diagram



You Might Also Like.....

Single Phase Metering Kit



Web: www.spwales.com | Email: sales@spwales.com | Phone: 01803 295430 | Fax: 01803 212819

While Stephen P Wales Ltd has made every reasonable effort to ensure the accuracy of this information, Stephen P Wales Ltd does not guarantee that it is error-free, nor does Stephen P Wales Ltd make any other representation, warranty or guarantee that the information is accurate, correct, reliable or current. Stephen P Wales Ltd reserves the right to make any adjustments to the information contained herein at any time without notice.