



### Eastron SDM120M - Summary Sheet

#### Summary

The Eastron SDM120M is a powerful 45A DIN Rail meter, perfect for low load applications such as monitoring heat pump consumption for RHI or caravan sites.

It's MID approved, making it suitable for billing applications and has Class B accuracy, (equivalent to Class 1).

Just one module wide, it's easy-read Back Lit LCD screen displays Active Energy (kWh), Reactive Energy (kVarh), Active Power, (W), Reactive Power (Var), Apparent Power (VA), Voltage (V), Current (I), Power Factor, Demand and Frequency.

It measures both imported & exported energy and dependant on the model selected, comes with either Modbus or Mbus outputs, ideal for integration into a BMS system or metering gateway.

#### Product Code

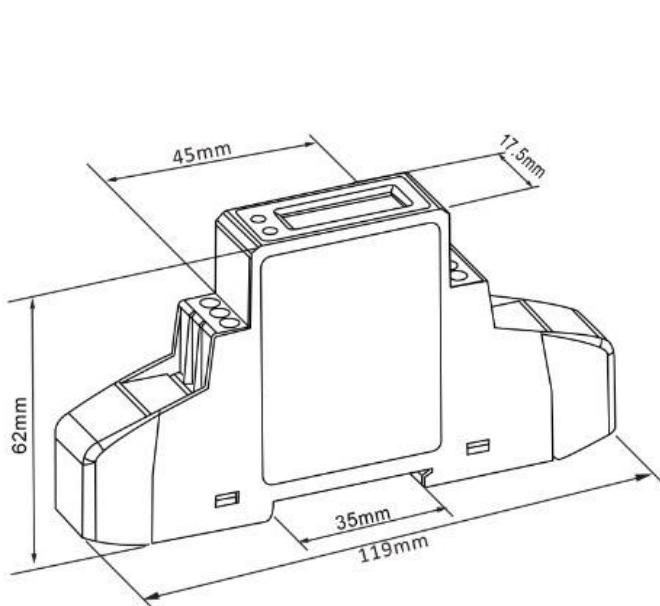
**Meter Type**  
**Fitting Type**  
**Max Current (Amps)**  
**MID Approved**  
**Smart**  
**Input Type**  
**Output Type**

**Tariffs**  
**Import / Export**  
**Module Width**  
**Availability**  
**Brand**  
**Country of Manufacture**

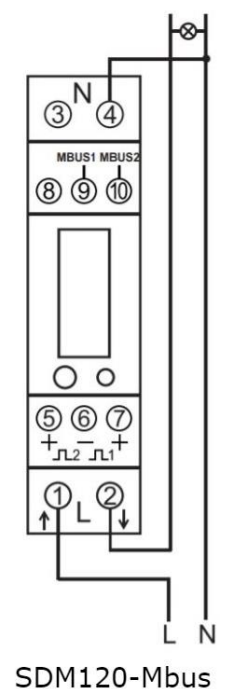
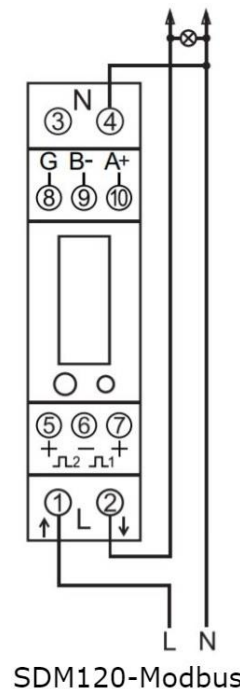
\* Dependant on model selected

**SPDEA120M (Modbus)**  
**SPDEA120MB (Mbus)**  
**Single Phase**  
**DIN Rail**  
**45**  
**Yes**  
**No**  
**Direct Connect**  
**Modbus & Pulse /**  
**Mbus & Pulse \***  
**Single**  
**Import & Export**  
**1**  
**Next Day \***  
**Eastron**  
**China**

#### Dimensions



#### Wiring Diagram



**Web: [www.spwales.com](http://www.spwales.com) | Email: [sales@spwales.com](mailto:sales@spwales.com) | Phone: 01803 295430 | Fax: 01803 212819**

While Stephen P Wales Ltd has made every reasonable effort to ensure the accuracy of this information, Stephen P Wales Ltd does not guarantee that it is error-free, nor does Stephen P Wales Ltd make any other representation, warranty or guarantee that the information is accurate, correct, reliable or current. Stephen P Wales Ltd reserves the right to make any adjustments to the information contained herein at any time without notice.