



Eastron SDM220-Mbus - Summary Sheet

Summary

The 2-module wide SDM220-Mbus is one of the smallest 100 Amp meters on the market. The compact shell has a back lit display, records both Imported and Exported Energy and is MID approved.

The range of parameters that this meter records are; Active Energy (kWh) including Total, Import & Export, Reactive Energy (kVarh) including Total, Import & Export, Voltage (V), Current, (I), Active Power (kW), Reactive Power (kVar), Apparent Power (kVA), Power Factor (PF), Power Max Demand (MD kW) and Frequency (Hz).

The SDM220 has an Mbus output for connection to a BMS system and it incorporates 2 pulsed outputs which are proportional to active and reactive energy.

N.B. This meter can be fitted into a DIN Rail enclosure. [Click here](#) to see our full range of Enclosures.

Product Code

SPDEA220

Meter Type

Single Phase

Fitting Type

DIN Rail

Max Current (Amps)

100

MID Approved

Yes

Smart

No

Input Type

Direct Connect

Output Type

Mbus & Pulse

Tariffs

Single

Import / Export

Import & Export

Module Width

2

Availability

Next Day

Condition

New

Brand

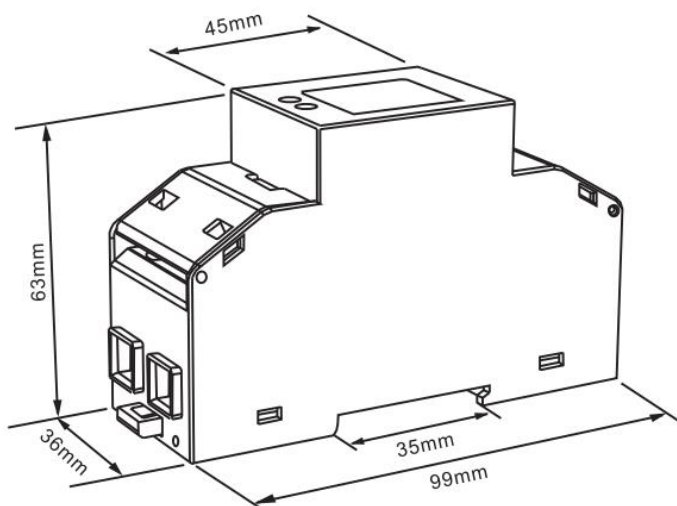
Eastron

Country of

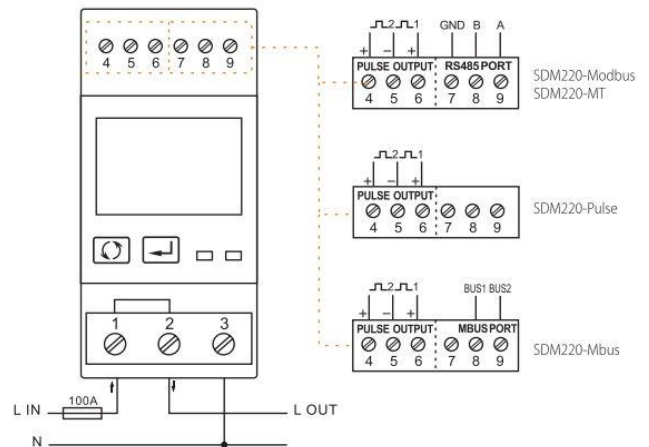
China

Manufacture

Dimensions



Wiring Diagram



Web: www.spwales.com | Email: sales@spwales.com | Phone: 01803 295430 | Fax: 01803 212819

While Stephen P Wales Ltd has made every reasonable effort to ensure the accuracy of this information, Stephen P Wales Ltd does not guarantee that it is error-free, nor does Stephen P Wales Ltd make any other representation, warranty or guarantee that the information is accurate, correct, reliable or current. Stephen P Wales Ltd reserves the right to make any adjustments to the information contained herein at any time without notice.