



Eastron SDM230-DR - Summary Sheet

Summary

The Eastron SDM230-DR is a 100 Amp, DIN Rail, single phase meter. At only two modules wide, this compact unit can easily fit into consumer units, providing a neat solution for installations where space may be tight.

It's MID approved so suitable for billing applications and highly accurate, certified to Class B. It displays both Energy (kWh) and Power (W) and can be easily read with its white back lit display.

There are two Energy (kWh) registers, one shows total consumption, the second can be reset to zero, perfect for billing applications where the meter is read periodically. It also features a passive pulse output, where the constant is 1000 imp/kWh.

N.B. This meter can be fitted into a DIN Rail enclosure. [Click here](#) to see our full range of Enclosures.

Product Code

Meter Type

Fitting Type

Max Current (Amps)

MID Approved

Smart

Input Type

Output Type

Tariffs

Import / Export

Module Width

Availability

Condition

Brand

Country of

Manufacture

SPDEA230

Single Phase

DIN Rail

100

Yes

No

Direct Connect

Pulse

Single

Import Only

2

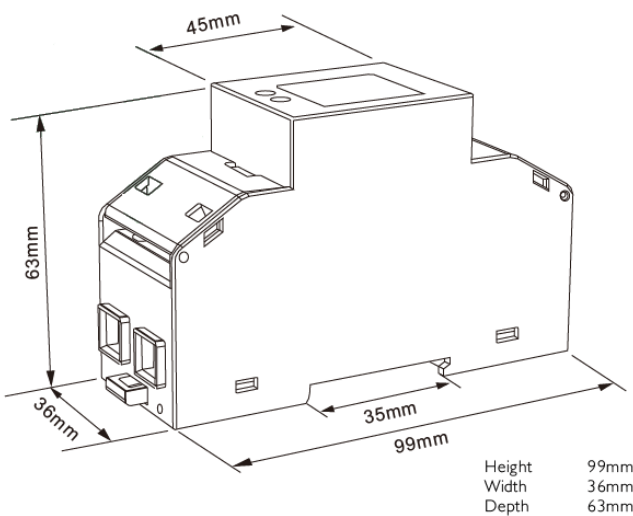
Next Day

New

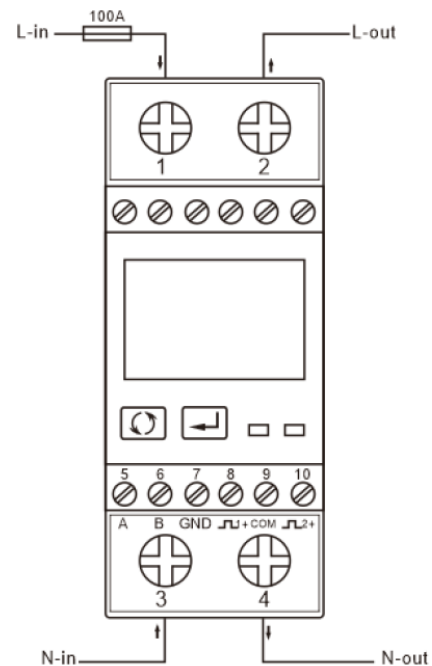
Eastron

China

Dimensions



Wiring Diagram



Web: www.spwales.com | Email: sales@spwales.com | Phone: 01803 295430 | Fax: 01803 212819

While Stephen P Wales Ltd has made every reasonable effort to ensure the accuracy of this information, Stephen P Wales Ltd does not guarantee that it is error-free, nor does Stephen P Wales Ltd make any other representation, warranty or guarantee that the information is accurate, correct, reliable or current. Stephen P Wales Ltd reserves the right to make any adjustments to the information contained herein at any time without notice.