



Eastron SDM230-Modbus - Summary Sheet

Summary

The 2-module wide SDM230-Modbus is a 100 Amp, DIN Rail single phase meter. Eastron have packed a wealth of features into this compact unit which is MID approved making it suitable for billing applications.

It measures a host of electrical parameters:

- Active Energy (kWh) - total, imported, exported, resettable
- Reactive Energy (kVAh) - total, imported, exported, resettable
- Max. Power Demand (W)
- Voltage (V)
- Current (A)
- Active Power (W)
- Reactive Power (Var)
- Apparent Power (VA)
- Power Factor
- Frequency (Hz)
- Running Time (H)

It also features RS485 Modbus RTU for connection to a BMS or remote monitoring system and incorporates 2 pulsed outputs, one of which can be configured to represent active or reactive energy.

N.B. This meter can be fitted into a DIN Rail enclosure. [Click here](#) to see our full range of Enclosures.

Product Code

Meter Type

Fitting Type

Max Current (Amps)

MID Approved

Smart

Input Type

Output Type

Tariffs

Import / Export

Module Width

Availability

Condition

Brand

Country of Manufacture

SPDEA230M

Single Phase

DIN Rail

100

Yes

No

Direct Connect

RS485 Modbus &

Pulse

Single

Import & Export

2

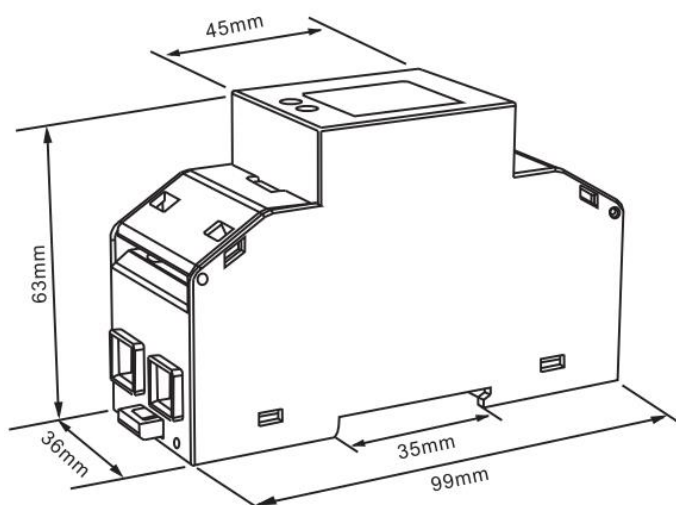
Next Day

New

Eastron

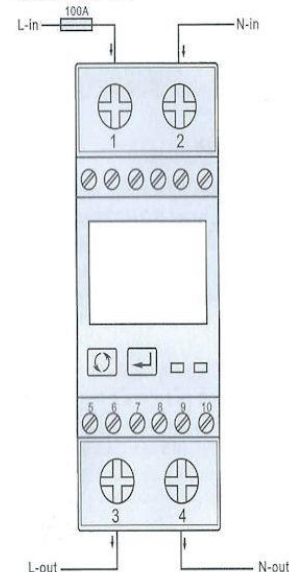
China

Dimensions



Wiring Diagram

SDM230-V2



Web: www.spwales.com | Email: sales@spwales.com | Phone: 01803 295430 | Fax: 01803 212819

While Stephen P Wales Ltd has made every reasonable effort to ensure the accuracy of this information, Stephen P Wales Ltd does not guarantee that it is error-free, nor does Stephen P Wales Ltd make any other representation, warranty or guarantee that the information is accurate, correct, reliable or current. Stephen P Wales Ltd reserves the right to make any adjustments to the information contained herein at any time without notice.