

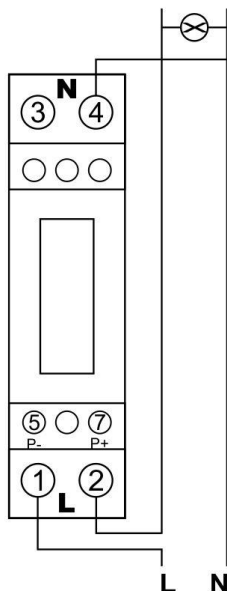


AEL.DM.100 - Summary Sheet

The AEL.DM.100 is a simple DIN rail mounted meter suitable for measuring single phase supplies of up to 45A. At just one module wide, this compact meter measures active energy, (kWh's), to accuracy Class B, (Cl. 1 or 1% accuracy), displaying it on a 5 + 1 LCD screen.

This MID approved meter, manufactured by KHL SM, can be used for sub billing and is popular for low load installations such as caravan parks, offices or single circuit measuring. It can also be used for renewable applications including RHI and the Feed In Tariff. It also includes a pulse output set at 1600 Imp/kWh which is also indicated via an LED on the front of the meter.

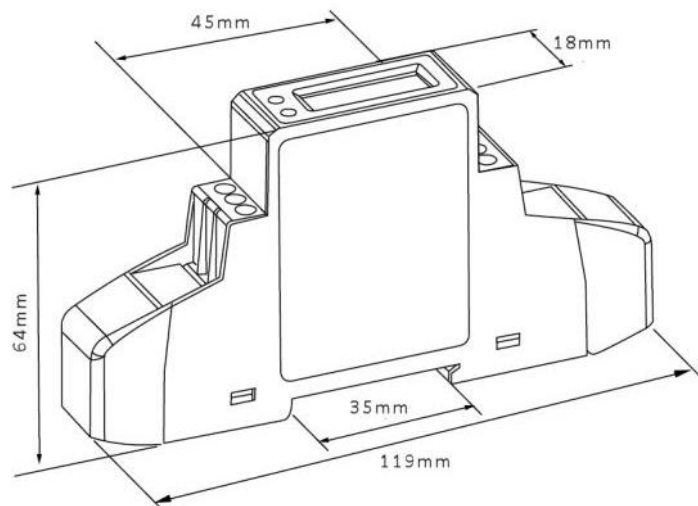
Wiring



Specification

Part Code	SPDKODM
Meter Type	Single Phase
Fitting Type	DIN Rail
Max. Current (Amps)	45A
MID Approved	Yes
Smart	No
Input Type	Direct Connect
Output Type	Pulse
Tariffs	Single
Import / Export	Import Only
Accuracy Class	B (Cl. 1)
Max. Cable Size	16mm ²
Module Width	1
Availability	Next Day
Brand	KHL SM
Country of Manufacture	Turkey

Dimensions



Web: www.spwales.com | Email: sales@spwales.com | Phone: 01803 295430 | Fax: 01803 212819

While Stephen P Wales Ltd has made every reasonable effort to ensure the accuracy of this information, Stephen P Wales Ltd does not guarantee that it is error-free, nor does Stephen P Wales Ltd make any other representation, warranty or guarantee that the information is accurate, correct, reliable or current. Stephen P Wales Ltd reserves the right to make any adjustments to the information contained herein at any time without notice.