



Elster A100C - Summary Sheet

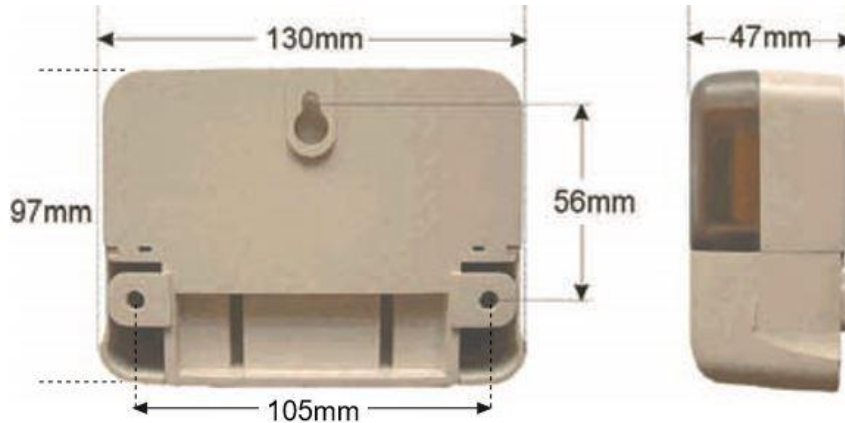
Summary

The Elster A100C is a very popular single phase, 100 Amp meter which is MID approved and comes with a pulse output as standard.

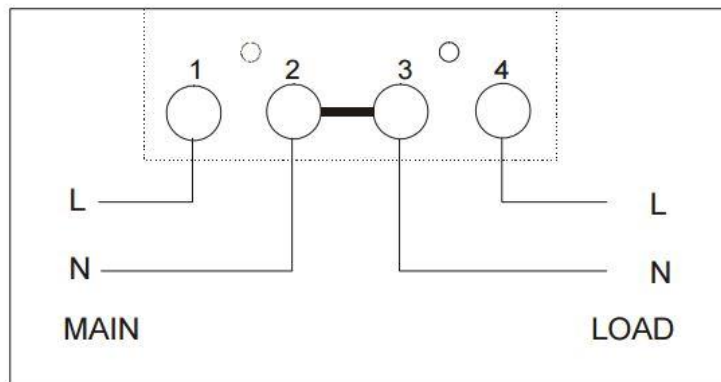
This meter comes with a large LCD screen and only displays KWh on one rate, making it exceedingly simple to read.

Product Code	SPWEL100
Meter Type	Single Phase
Fitting Type	Wall Mounted
Max Current (Amps)	100
MID Approved	Yes
Smart	No
Input Type	Direct Connect
Output Type	Pulse
Tariffs	Single
Import / Export	Import Only
Availability	Next Day
Condition	New
Brand	Elster
Country of Manufacture	China

Dimensions



Wiring Diagram



Web: www.spwales.com | Email: sales@spwales.com | Phone: 01803 295430 | Fax: 01803 212819

While Stephen P Wales Ltd has made every reasonable effort to ensure the accuracy of this information, Stephen P Wales Ltd does not guarantee that it is error-free, nor does Stephen P Wales Ltd make any other representation, warranty or guarantee that the information is accurate, correct, reliable or current. Stephen P Wales Ltd reserves the right to make any adjustments to the information contained herein at any time without notice.