



Emlite EMGSM1 - Summary Sheet

Summary

The Emlite EMGSM1 is the perfect solution for simple AMR, (automatic meter reading), applications such as billing or micro-generation. This MID approved 100 Amp meter measures Imported and Exported Active Energy (kWh) and Reactive Energy (kVARh), as well as Voltage (V), Current (I) and Power (W).

With an optimised internal antenna and connection to most of the major UK mobile networks, communication should never be an issue, but this can be monitored using the GSM signal strength display. External antennas can easily be connected however, for areas where signal strength is particularly low.

This meter is supplied with a Meter Online SIM, allowing multiple meters to be read remotely using their simple online gateway. [Click here](#) for more information.

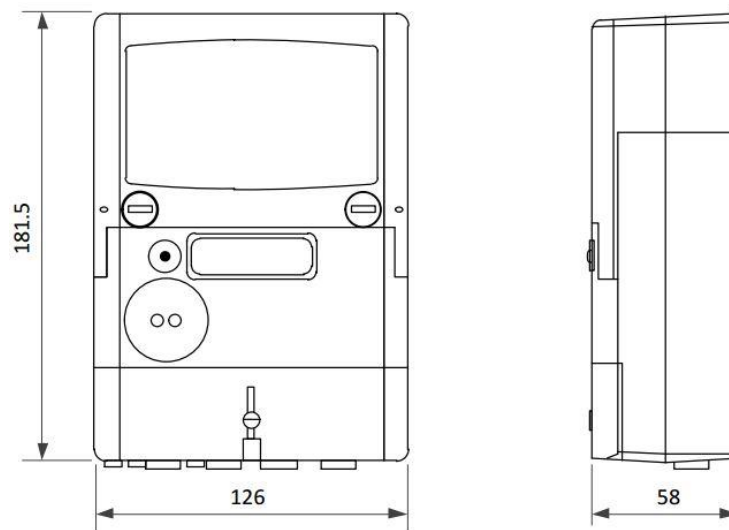
Product Code

Meter Type
Fitting Type
Max Current (Amps)
MID Approved
Smart
Input Type
Output Type
Tariffs
Import / Export
Availability
Condition
Brand
Country of Manufacture

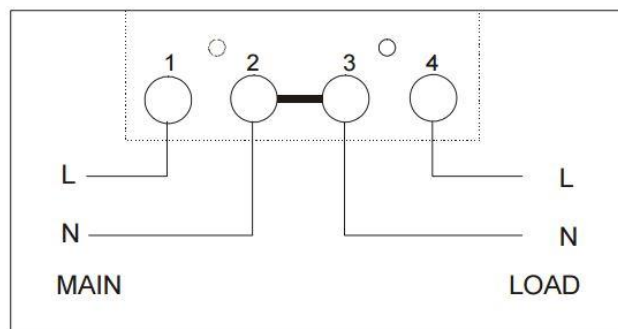
SPWEMG

Single Phase
Wall Mounted
100
Yes
Yes
Direct Connect
Pulse
Single
Import & Export
Next Day
New
Emlite
UK

Dimensions



Wiring Diagram



Web: www.spwales.com | Email: sales@spwales.com | Phone: 01803 295430 | Fax: 01803 212819

While Stephen P Wales Ltd has made every reasonable effort to ensure the accuracy of this information, Stephen P Wales Ltd does not guarantee that it is error-free, nor does Stephen P Wales Ltd make any other representation, warranty or guarantee that the information is accurate, correct, reliable or current. Stephen P Wales Ltd reserves the right to make any adjustments to the information contained herein at any time without notice.