



## Iskra ME382- Summary Sheet

### Summary

This single phase 100amp smart meter boasts a wealth of functions and comes with MID approval making it suitable for billing purposes. Smart meters can be read remotely and give real time information on your energy usage, allowing you to manage it effectively.

Featuring multiple tariff options, and import and export as standard, along with remote connection / disconnection. Highly accurate with extensive security features and secure communication with encryption and authentication.

This meter can be pre-programmed using dedicated software prior to dispatch. Simply select the optional extra below and specify tariff times required.

This Smart Meter is supplied with a Meter Online SIM to enable Automatic Meter Reading, [click here](#) to find out more.

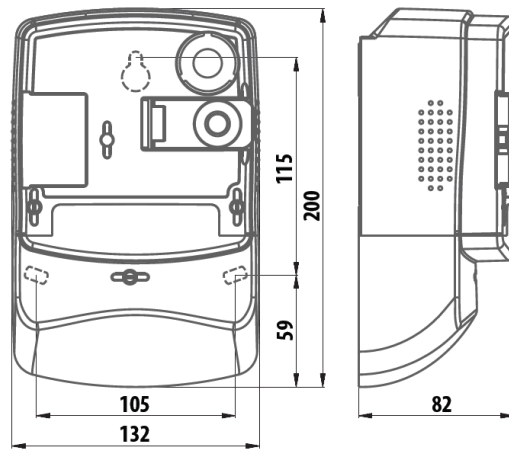
### Product Code

**Meter Type**  
**Fitting Type**  
**Max Current (Amps)**  
**MID Approved**  
**Smart**  
**Input Type**  
**Output Type**  
**Tariffs**  
**Import / Export**  
**Availability**  
**Condition**  
**Brand**  
**Country of Manufacture**

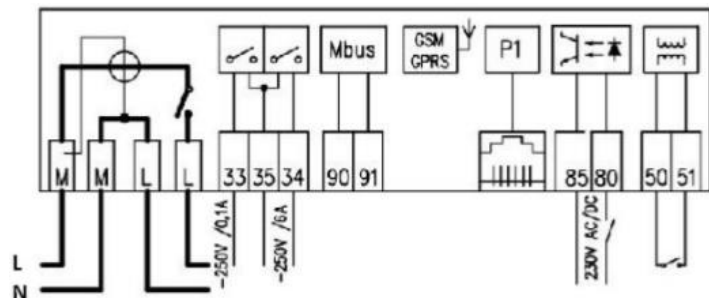
**SPWIS382**

**Single Phase**  
**Wall Mounted**  
**100**  
**Yes**  
**Yes**  
**Direct Connect**  
**Mbus**  
**Multiple**  
**Import & Export**  
**Next Day**  
**New**  
**Iskra**  
**Slovenia**

### Dimensions



### Wiring Diagram



**Web: [www.spwales.com](http://www.spwales.com) | Email: [sales@spwales.com](mailto:sales@spwales.com) | Phone: 01803 295430 | Fax: 01803 212819**

While Stephen P Wales Ltd has made every reasonable effort to ensure the accuracy of this information, Stephen P Wales Ltd does not guarantee that it is error-free, nor does Stephen P Wales Ltd make any other representation, warranty or guarantee that the information is accurate, correct, reliable or current. Stephen P Wales Ltd reserves the right to make any adjustments to the information contained herein at any time without notice.