



Landis + Gyr DFS - Summary Sheet

Summary

The Landis + Gyr DFS is designed for 4-wire 3-phase, systems and is rated up to 100 Amps. Its 6+1 roller dial display simply shows Energy (kWh) consumption, making it an ideal solution for those wanting a good value three phase check meter.

All of our reconditioned meters go through an initial inspection from one of our experienced meter engineers. The meter is then tested, followed by a thorough clean, re-spray and second test to ensure accuracy.

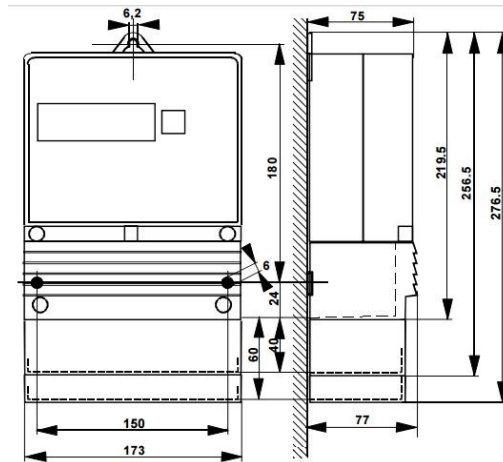
Product Code

Meter Type
Fitting Type
Max Current (Amps)
MID Approved
Smart
Input Type
Output Type
Tariffs
Import / Export
Availability
Condition
Brand
Country of Manufacture

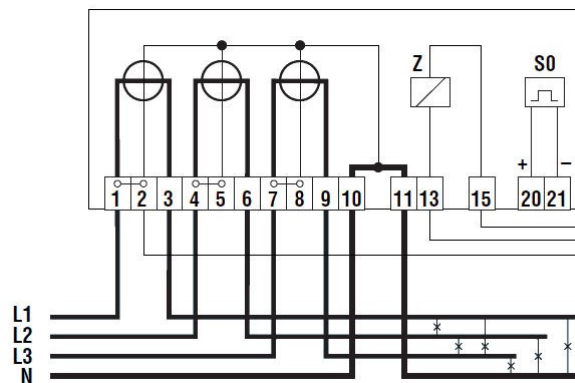
TP100L

Three Phase
Wall Mounted
100
No
No
Direct Connect
n/a
Single
Import Only
Next Day
Reconditioned
Landis + Gyr
UK

Dimensions



Wiring Diagram



Web: www.spwales.com | Email: sales@spwales.com | Phone: 01803 295430 | Fax: 01803 212819

While Stephen P Wales Ltd has made every reasonable effort to ensure the accuracy of this information, Stephen P Wales Ltd does not guarantee that it is error-free, nor does Stephen P Wales Ltd make any other representation, warranty or guarantee that the information is accurate, correct, reliable or current. Stephen P Wales Ltd reserves the right to make any adjustments to the information contained herein at any time without notice.