



## Iskra MT300 - Summary Sheet

### Summary

The Iskra MT300 is designed for 4-wire 3-phase systems and is rated up to 100 Amps. Its 6+1 roller dial display simply shows Energy (kWh) consumption, making it an ideal solution for those wanting a good value three phase check meter.

All of our reconditioned meters go through an initial inspection from one of our experienced meter engineers. The meter is then tested, followed by a thorough clean, re-spray and second test to ensure accuracy.

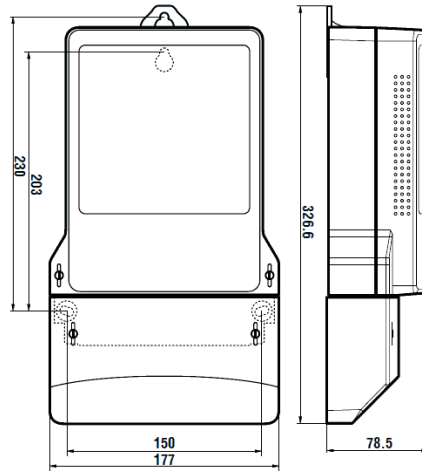
### Product Code

**Meter Type**  
**Fitting Type**  
**Max Current (Amps)**  
**MID Approved**  
**Smart**  
**Input Type**  
**Output Type**  
**Tariffs**  
**Import / Export**  
**Availability**  
**Condition**  
**Brand**  
**Country of Manufacture**

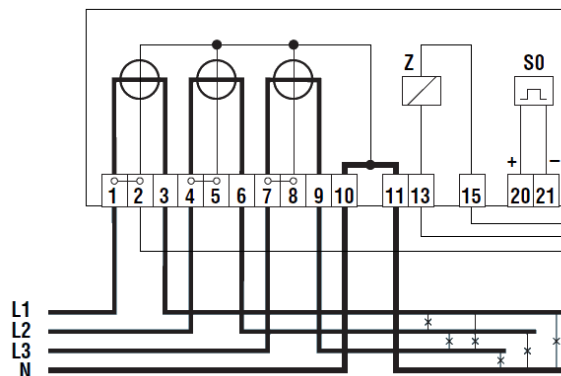
**TP100MT**

**Three Phase**  
**Wall Mounted**  
**100**  
**No**  
**No**  
**Direct Connect**  
**n/a**  
**Single**  
**Import Only**  
**Next Day**  
**Reconditioned**  
**Iskra**  
**Slovenia**

### Dimensions



### Wiring Diagram



**Web: [www.spwales.com](http://www.spwales.com) | Email: [sales@spwales.com](mailto:sales@spwales.com) | Phone: 01803 295430 | Fax: 01803 212819**

While Stephen P Wales Ltd has made every reasonable effort to ensure the accuracy of this information, Stephen P Wales Ltd does not guarantee that it is error-free, nor does Stephen P Wales Ltd make any other representation, warranty or guarantee that the information is accurate, correct, reliable or current. Stephen P Wales Ltd reserves the right to make any adjustments to the information contained herein at any time without notice.