



## Acrel ADL400 - Summary Sheet

This CT operated DIN Rail meter is for use with three phase supplies and measures electrical parameters including Current (I), Voltage (V), Power (kW/KVA/KVAR), Power Factor (PF), Frequency (Hz), Imported, Exported and Total Energy (kWh/kVArh).

It's MID approved, allowing it to be used for billing applications and is highly accurate, (Class C,  $\pm 0.5\%$ ). With both a Pulse Output and RS485 Modbus RTU it can be integrated with BMS or remote monitoring systems.

### Specification

Meter Type	Three Phase
Fitting Type	DIN Rail
Max. Current (Amps)	6
MID Approved	Yes
Smart	No
Input Type	Current Transformer
Output Type	Pulse / Modbus
Tariffs	Single
Import / Export	Import & Export
Accuracy Class	C (Cl. 0.5)
Module Width	4
Availability	Next Day

### Wiring Diagram

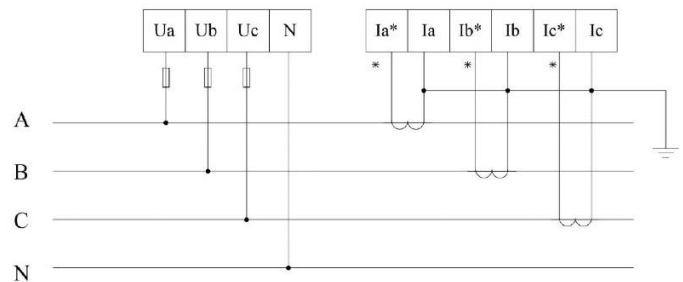
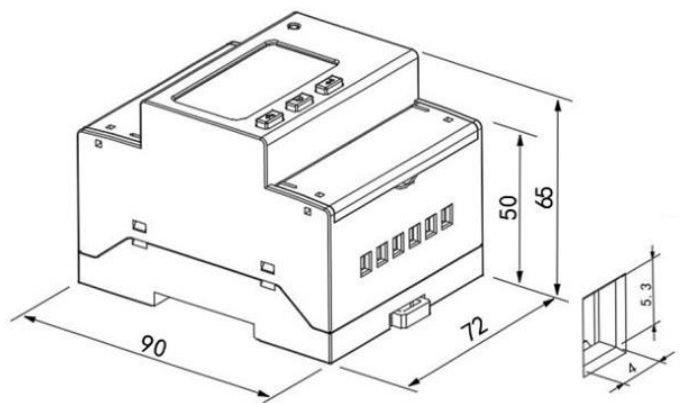


Fig 3 Three phase four lines connect via CT

### Measured Parameters

Active Energy (kWh)	✓	Line Power Factor (PF)	✗
Active Power (W)	✓	Line Reactive Power (kVAR)	✗
Apparent Energy (kVAh)	✓	Line to Line Voltage (V)	✓
Apparent Power (VA)	✓	Line to Neutral Voltage (V)	✗
Average Current (I)	✗	Maximum Current (I)	✗
Average Power Demands (W)	✗	Maximum Power Demands (W)	✗
Average Voltage (V)	✗	Maximum Voltage (V)	✗
Current (I)	✓	Power Factor (PF)	✓
Current in Neutral (I)	✗	Reactive Energy (kVArh)	✓
Frequency (Hz)	✓	Reactive Power (VAR)	✓
Hours Run (hr)	✗	Total Harmonic Distortion (Amps)	✓
Line Active Power (W)	✗	Total Harmonic Distortion (Volts)	✓
Line Apparent Power (kVA)	✗	Voltage (V)	✓
Line Current (I)	✗		

### Dimensions



**Web: [www.spwales.com](http://www.spwales.com) | Email: [sales@spwales.com](mailto:sales@spwales.com) | Phone: 01803 295430 | Fax: 01803 212819**

While Stephen P Wales Ltd has made every reasonable effort to ensure the accuracy of this information, Stephen P Wales Ltd does not guarantee that it is error-free, nor does Stephen P Wales Ltd make any other representation, warranty or guarantee that the information is accurate, correct, reliable or current. Stephen P Wales Ltd reserves the right to make any adjustments to the information contained herein at any time without notice.