



Acrel ADL400D - Summary Sheet

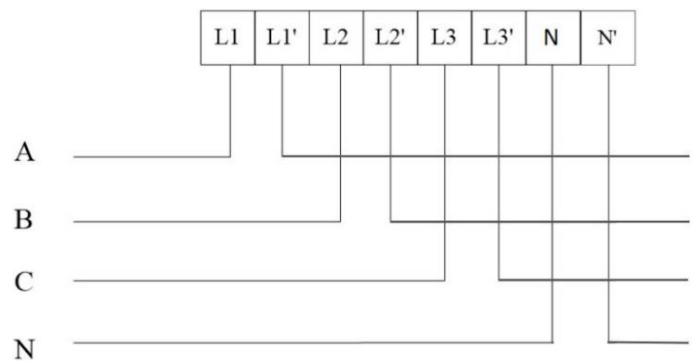
This direct connect DIN Rail meter is for use with three phase supplies and measures electrical parameters including Current (I), Voltage (V), Power (kW/KVA/KVAr), Power Factor (PF), Frequency (Hz), Imported, Exported and Total Energy (kWh/kVArh).

It's MID approved, allowing it to be used for billing applications and is highly accurate, (Class B, ±1%). With both a Pulse Output and RS485 Modbus RTU it can be integrated with BMS or remote monitoring systems.

Specification

Meter Type	Three Phase
Fitting Type	DIN Rail
Max. Current (Amps)	100
MID Approved	Yes
Smart	No
Input Type	Direct Connect
Output Type	Pulse / Modbus
Tariffs	Single
Import / Export	Import & Export
Accuracy Class	B (Cl. 1)
Module Width	4
Availability	Next Day

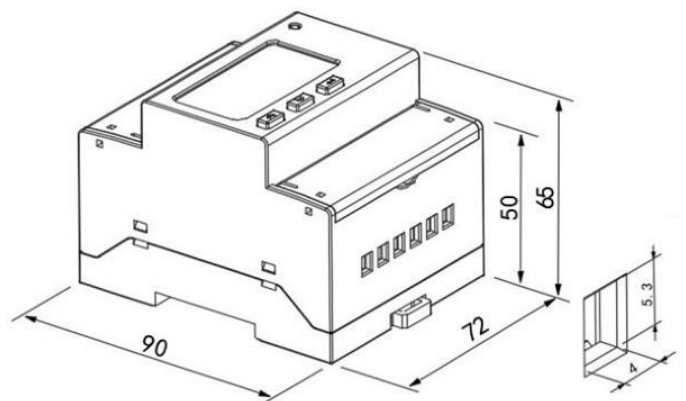
Wiring Diagram



Measured Parameters

Active Energy (kWh)	✓	Line Power Factor (PF)	✓
Active Power (W)	✓	Line Reactive Power (kVAr)	✓
Apparent Energy (kVAh)	✓	Line to Line Voltage (V)	✓
Apparent Power (VA)	✓	Line to Neutral Voltage (V)	✗
Average Current (I)	✗	Maximum Current (I)	✗
Average Power Demands (W)	✗	Maximum Power Demands (W)	✗
Average Voltage (V)	✗	Maximum Voltage (V)	✗
Current (I)	✓	Power Factor (PF)	✓
Current in Neutral (I)	✗	Reactive Energy (kVArh)	✓
Frequency (Hz)	✓	Reactive Power (VAr)	✓
Hours Run (hr)	✗	Total Harmonic Distortion (Amps)	✓
Line Active Power (W)	✓	Total Harmonic Distortion (Volts)	✓
Line Apparent Power (kVA)	✓	Voltage (V)	✓
Line Current (I)	✓		

Dimensions



Web: www.spwales.com | Email: sales@spwales.com | Phone: 01803 295430 | Fax: 01803 212819

While Stephen P Wales Ltd has made every reasonable effort to ensure the accuracy of this information, Stephen P Wales Ltd does not guarantee that it is error-free, nor does Stephen P Wales Ltd make any other representation, warranty or guarantee that the information is accurate, correct, reliable or current. Stephen P Wales Ltd reserves the right to make any adjustments to the information contained herein at any time without notice.