



## SDM72-D

Three Phase 4 Wires Electricity Meter



- Active energy (kWh)
- Pulse output
- 100A direct load
- Class 1.0 Accuracy
- 4 modular (72mm)
- 35mm Din rail mounting
- Display remain when blackout (optional)

*User Manual V1.2*

**2015**

## Application

The SDM72D energy-meters “with a white back-lighted LCD screen for perfect reading” is used to measure three-phase energy in commercial and Industrial applications.

# PART 1 Specification

## General Specifications

Voltage AC (Un)	3x230(400)V
Voltage Range	80~120% Un
Base Current (Ib)	10A AC
Max. Current (Imax)	100A AC
Mini Current (Imin)	0.5A AC
Starting current	0.4% of Ib
Power consumption	<2W/10VA
Frequency	50/60Hz
AC voltage withstand	4KV for 1 minute
Impulse voltage withstand	6KV-1.2uS waveform
Overcurrent withstand	30Imax for 0.01s
Pulse output rate	1000imp/kWh (default)
Display	LCD with backlit
Max. Reading	999999.9kWh
Active energy	Class 1 IEC62053-21 Class B EN50470-3

## Environment

Operating temperature	-25°C to +55°C
Storage and transportation temperature	-40°C to +70°C
Reference temperature	23°C ± 2°C
Relative humidity	0 to 95%, non-condensing
Altitude	up to 3000m
Warm up time	10s
Installation category	CAT III
Mechanical Environment	M1
Electromagnetic environment	E2
Degree of pollution	2





## Mechanics

Din rail dimensions	72x100x66 (WxHxD) DIN 43880
Mounting	DIN rail 35mm
Sealing	IP51 (indoor)
Material	self-extinguishing UL94V-0

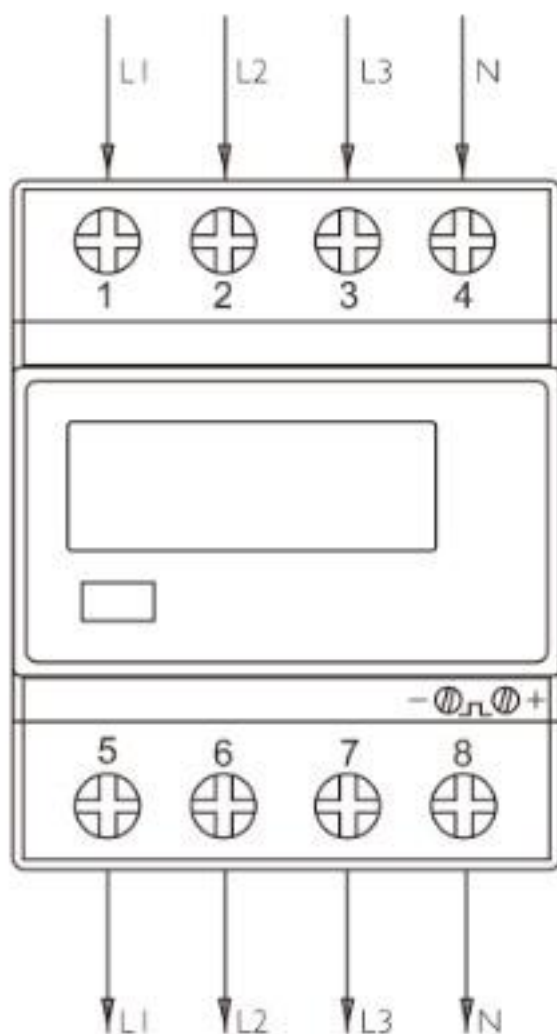
## PART 2 Operation

### Initialization Display

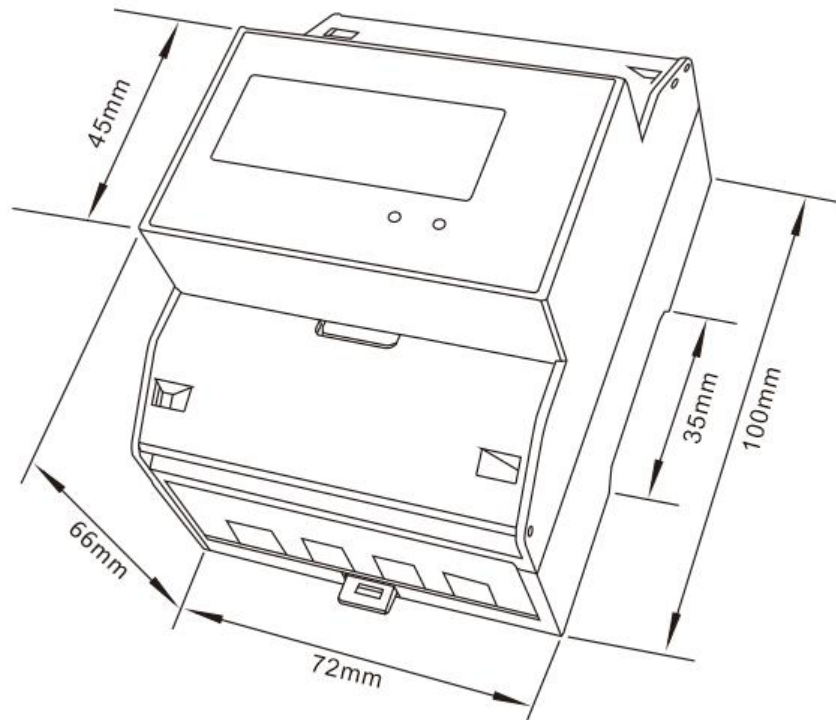
When it is powered on, the meter will initialize and do self-checking.

	<p>Full Screen (3S)</p>
	<p>Software Version (2S)</p>
	<p>Pulse constant (2S)</p>
	<p>Total active energy (kWh)</p>

### Wiring diagram



Dimensions



Installation

