



### ND Metering Solutions Rail 310 - Summary Sheet

The ND Metering Solutions Rail 310 is manufactured in the UK and comes with a 5-year manufacturer's warranty. This 6-module wide DIN Rail electricity meter is CT operated and has a bold LCD display.

This meter has a number of parameters that can be used by energy managers and electrical engineers to analyse a power system. It displays Energy (kWh) to an accuracy better than class 1 as well as Current (I) and Voltage (V) for each phase and Active Power (W) for individual phases and as a total. In addition, Power Factor (PF), Reactive Power (kVAr), Average Current (I) and Average Voltage (V) are available via Modbus.

As standard the Rail 310 comes with 3 pulse outputs; all of which are configurable for both duration and rate and a Modbus Output model is also available.

#### Specification

Measurement Type	3 x Single Phase
Fitting Type	DIN Rail
MID Approved	No
Smart	No
Input Type	Current Transformer
Output Type	Pulse / Modbus *
Tariffs	Single
Import / Export	Import Only
Availability	See Model Variants

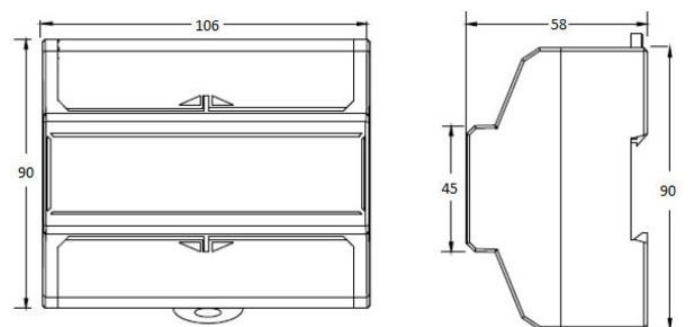
\* Dependant on model selected

#### Model Variants

MSND310 *	Pulse Output
MSND310M	Modbus Output

\* Available next working day

#### Dimensions

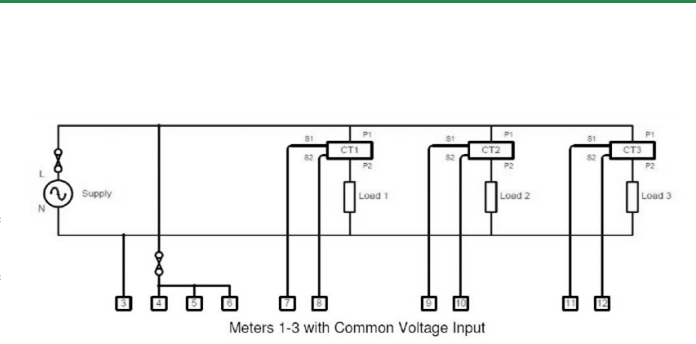


#### Measured Parameters

Active Energy (kWh)	✓	Line Power Factor (PF)	✗
Active Power (W)	✓	Line Reactive Power (kVAr)	✗
Apparent Energy (kVAh)	✗	Line to Line Voltage (V)	✗
Apparent Power (VA)	✗	Line to Neutral Voltage (V)	✓
Average Current (I)	✓**	Maximum Current (I)	✗
Average Power Demands (W)	✗	Maximum Power Demands (W)	✗
Average Voltage (V)	✓**	Maximum Voltage (V)	✗
Current (I)	✓	Power Factor (PF)	✓**
Current in Neutral (I)	✗	Reactive Energy (kVArh)	✗
Frequency (Hz)	✗	Reactive Power (VAr)	✓**
Hours Run (hr)	✗	Total Harmonic Distortion (Amps) *	✗
Line Active Power (W)	✗	Total Harmonic Distortion (Volts) *	✗
Line Apparent Power (kVA)	✗	Voltage (V)	✓
Line Current (I)	✗		

\* Dependant on model selected  
\*\* Additionally available via Modbus

#### Wiring Guide



**Web: [www.spwales.com](http://www.spwales.com) | Email: [sales@spwales.com](mailto:sales@spwales.com) | Phone: 01803 295430 | Fax: 01803 212819**

While Stephen P Wales Ltd has made every reasonable effort to ensure the accuracy of this information, Stephen P Wales Ltd does not guarantee that it is error-free, nor does Stephen P Wales Ltd make any other representation, warranty or guarantee that the information is accurate, correct, reliable or current. Stephen P Wales Ltd reserves the right to make any adjustments to the information contained herein at any time without notice.