



ND Metering Solutions Rail 350 - Summary Sheet

The ND Metering Solutions Rail 350 is manufactured in the UK and come with a 5-year manufacturer's warranty.

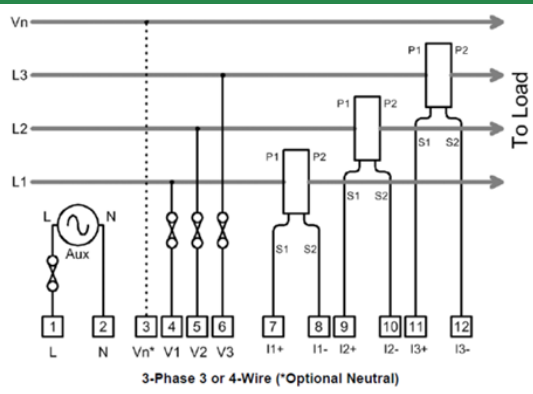
This CT operated DIN Rail meter displays individual phase and total Active Power (W); Active Energy (kWh) is recorded to an accuracy better than class 1 and Reactive Energy (kVArh) better than class 2. It includes a resettable hours run counter (hr) and displays Frequency (Hz) In addition, to measuring Power Factor (pf) for each phase and the sum of all phases. It also records Live to Live and Live to Neutral Voltage (V) and Current (I) on each phase.

As standard the Rail 350 comes with 2 pulse outputs for kWh and kVArh; both are configurable for both duration and rate.

| Specification | | Model Variants | |
|---------------------|---------------------|------------------------------|--------------------|
| Meter Type | Three Phase | TPDND350 * | 5A with Pulse |
| Fitting Type | DIN Rail | TPDND350M * | 5A with Modbus |
| Max. Current (Amps) | 5A / 0.333V * | TPDND350V * | 0.333V with Pulse |
| MID Approved | No | TPDND350VM | 0.333V with Modbus |
| Smart | No | * Available next working day | |
| Input Type | Current Transformer | | |
| Output Type | Pulse / Modbus * | | |
| Tariffs | Single | | |
| Import / Export | Import Only | | |
| Availability | See Model Variants | | |

* Dependant on model selected

| Measured Parameters | | Wiring Diagram | |
|---------------------------|---|-----------------------------------|---|
| Active Energy (kWh) | ✓ | Line Power Factor (PF) | ✓ |
| Active Power (W) | ✓ | Line Reactive Power (kVAR) | ✗ |
| Apparent Energy (kVAh) | ✗ | Line to Line Voltage (V) | ✓ |
| Apparent Power (VA) | ✗ | Line to Neutral Voltage (V) | ✓ |
| Average Current (I) | ✗ | Maximum Current (I) | ✗ |
| Average Power Demands (W) | ✗ | Maximum Power Demands (W) | ✗ |
| Average Voltage (V) | ✗ | Maximum Voltage (V) | ✗ |
| Current (I) | ✓ | Power Factor (PF) | ✓ |
| Current in Neutral (I) | ✗ | Reactive Energy (kVArh) | ✓ |
| Frequency (Hz) | ✓ | Reactive Power (VAR) | ✗ |
| Hours Run (hr) | ✓ | Total Harmonic Distortion (Amps) | ✗ |
| Line Active Power (W) | ✓ | Total Harmonic Distortion (Volts) | ✗ |
| Line Apparent Power (kVA) | ✗ | Voltage (V) | ✓ |
| Line Current (I) | ✓ | | |



Web: www.spwales.com | Email: sales@spwales.com | Phone: 01803 295430 | Fax: 01803 212819

While Stephen P Wales Ltd has made every reasonable effort to ensure the accuracy of this information, Stephen P Wales Ltd does not guarantee that it is error-free, nor does Stephen P Wales Ltd make any other representation, warranty or guarantee that the information is accurate, correct, reliable or current. Stephen P Wales Ltd reserves the right to make any adjustments to the information contained herein at any time without notice.