



SmartRail X835DC - Summary Sheet

Summary

The Smart Rail range of meters has been introduced to the UK market by Smart Process and has made quite an impact. Manufactured in China by Easton, (previously branded as Easton SDM), they are feature packed, flexible on installation and very price competitive.

The X835DC is a 4 module wide, direct connect, DIN Rail mounted electricity.

This meter displays a broad range of power data including Active Power (W) by phase, Active and Reactive Energy (kWh & kVAh) for both Import and Export, Power Factor (PF), Frequency (Hz) and Harmonic Distortion up to the 31st harmonic for both Current & Voltage.

In addition, this meter has 2 pulse outputs for logging kWh and kVAh as well as a Modbus RS485 output, making it perfect to integrate with Building Management Systems (BMS).

N.B. This meter can be fitted into a DIN Rail enclosure. [Click here](#) to see our full range of Enclosures.

Product Code

Meter Type
Fitting Type
Max Current (Amps)
MID Approved
Smart
Input Type
Output Type
Tariffs
Import / Export
Module Width
Availability
Condition
Brand
Country of Manufacture

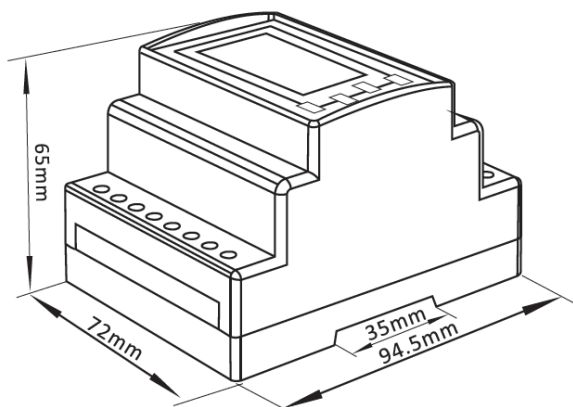
TPDSP835

Three Phase
DIN Rail
100
Yes
No
Direct Connect
RS485 Modbus & Pulse
Single
Import & Export
4
Next Day
New
Smart Process
China

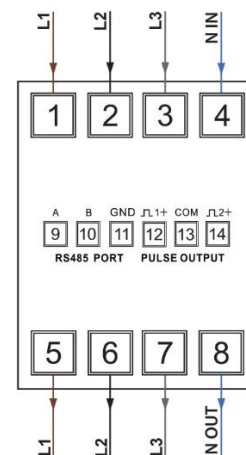
Measured Parameters

Active Energy (kWh)	✓	Line Power Factor (PF)	✓
Active Power (W)	✓	Line Reactive Power (kVAh)	✗
Apparent Energy (kVAh)	✗	Line to Line Voltage (V)	✗
Apparent Power (VA)	✓	Line to Neutral Voltage (V)	✓
Average Current (I)	✗	Maximum Current (I)	✓
Average Power Demands (W)	✗	Maximum Power Demands (W)	✓
Average Voltage (V)	✗	Maximum Voltage (V)	✗
Current (I)	✗	Power Factor (PF)	✓
Current in Neutral (I)	✗	Reactive Energy (kVAh)	✓
Frequency (Hz)	✓	Reactive Power (VAh)	✓
Hours Run (hr)	✗	Total Harmonic Distortion (Amps)	✓
Line Active Power (W)	✗	Total Harmonic Distortion (Volts)	✓
Line Apparent Power (kVA)	✗	Voltage (V)	✗
Line Current (I)	✓		

Dimensions



Wiring Diagram



Web: www.spwales.com | Email: sales@spwales.com | Phone: 01803 295430 | Fax: 01803 212819

While Stephen P Wales Ltd has made every reasonable effort to ensure the accuracy of this information, Stephen P Wales Ltd does not guarantee that it is error-free, nor does Stephen P Wales Ltd make any other representation, warranty or guarantee that the information is accurate, correct, reliable or current. Stephen P Wales Ltd reserves the right to make any adjustments to the information contained herein at any time without notice.