



Elster A1100 - Summary Sheet

Summary

The Elster A1100 is a simple three phase, direct connect, credit / check meter. It measures Imported Energy, (kWh), only, so if you want a simple display with minimum installation and set-up time, this is the meter for you.

This smart looking meter is MID approved and made in Europe. It will measure up to 100 Amps and has a pulsed output which is set to 10 kWh per pulse.

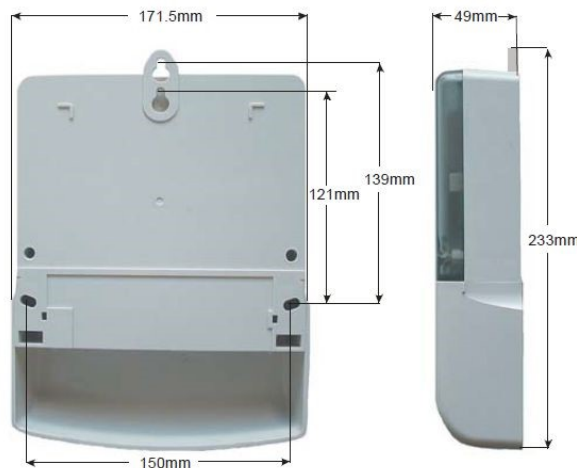
Product Code

Meter Type
Fitting Type
Max Current (Amps)
MID Approved
Smart
Input Type
Output Type
Tariffs
Import / Export
Availability
Condition
Brand
Country of Manufacture

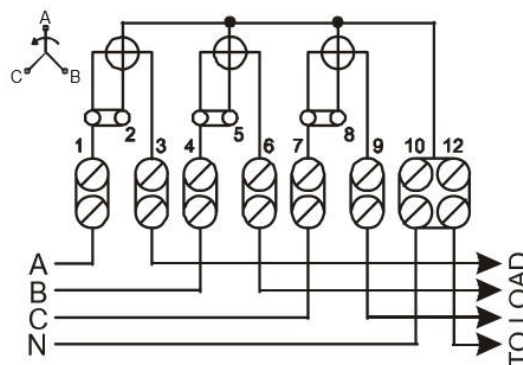
TPN100E

Three Phase
Wall Mounted
100
Yes
No
Direct Connect
Pulse
Single
Import Only
Next Day
New
Elster
Romania

Dimensions



Wiring Diagram



Web: www.spwales.com | Email: sales@spwales.com | Phone: 01803 295430 | Fax: 01803 212819

While Stephen P Wales Ltd has made every reasonable effort to ensure the accuracy of this information, Stephen P Wales Ltd does not guarantee that it is error-free, nor does Stephen P Wales Ltd make any other representation, warranty or guarantee that the information is accurate, correct, reliable or current. Stephen P Wales Ltd reserves the right to make any adjustments to the information contained herein at any time without notice.