



ND Metering Solutions Cube 400V with Modbus & Harmonics - Summary Sheet

Summary

The Cube 400V is a powerful 96x96mm panel mounted electricity meter and power monitor. It is CT operated and has a programmable VT input. Note the standard build is for a Current Transformer with a 0.333V output.

The ND Metering Solutions series of meters are the only range on the market that are manufactured in the UK and come with a 5-year warranty.

This meter has a significant number of parameters that can be used to analyse a power system. It displays Import and Export Energy (kWh) to an accuracy better than class 1. In addition, Import and Export Reactive Energy (kVAh) are available along with Apparent Energy (kVAh), Hours Run (hr) and Frequency (Hz).

Power (W), Apparent Power (kVA), Reactive Power (kVAR), Power Factor (pf), Current (I) and Live to Live and Live to Neutral Voltage (V) are available for individual phases and as a total. The THD add on includes Total Harmonic Distortion for Volts and Current on individual harmonics between the 2nd and 15th.

Peak values, time averaged values and peak time averaged values are also available for Current (I) and Live to Neutral Voltage (V). Mean Demand and Peak Hold Mean Demand are available for kW, kVA and kVAR.

This meter comes with RS485 Modbus and 2 pulse outputs for kWh and kVAh; both are configurable for both duration and rate.

N.B. This meter can be pre-wired into an enclosure. [Click here](#) to see our full range of Enclosures, or [click here](#) to find out more about our Pre-Wiring Service.

Product Code

TPNCUBE400VMH

Meter Type

Three Phase

Fitting Type

Panel Mounted

Max Current (Amps)

n/a

MID Approved

No

Smart

No

Input Type

Current Transformer (0.333V)

Output Type

RS485 Modbus & Pulse

Tariffs

Single

Import / Export

Import & Export

Availability

5 Day

Condition

New

Brand

ND Metering Solutions

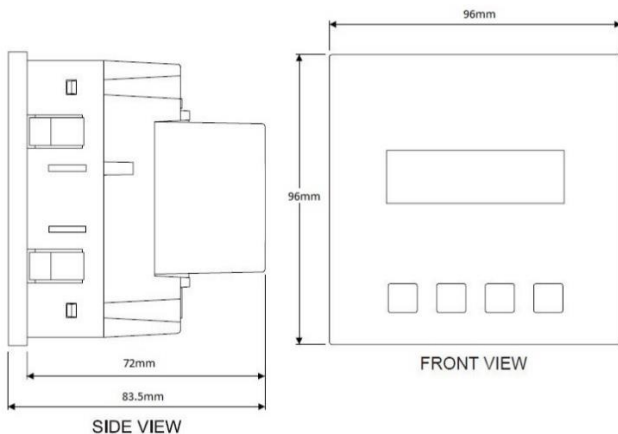
Country of Manufacture

UK

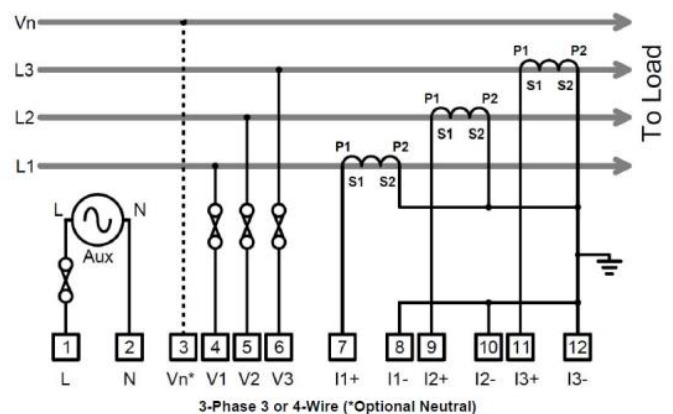
Measured Parameters

Active Energy (kWh)	✓	Line Power Factor (PF)	✓
Active Power (W)	✓	Line Reactive Power (kVAR)	✓
Apparent Energy (kVAh)	✓	Line to Line Voltage (V)	✓
Apparent Power (VA)	✓	Line to Neutral Voltage (V)	✓
Average Current (I)	✓	Maximum Current (I)	✓
Average Power Demands (W)	✓	Maximum Power Demands (W)	✓
Average Voltage (V)	✓	Maximum Voltage (V)	✓
Current (I)	✓	Power Factor (PF)	✓
Current in Neutral (I)	✗	Reactive Energy (kVAh)	✓
Frequency (Hz)	✓	Reactive Power (VAR)	✓
Hours Run (hr)	✓	Total Harmonic Distortion (Amps)	✓
Line Active Power (W)	✓	Total Harmonic Distortion (Volts)	✓
Line Apparent Power (kVA)	✓	Voltage (V)	✓
Line Current (I)	✓		

Dimensions



Wiring Diagram



Web: www.spwales.com | Email: sales@spwales.com | Phone: 01803 295430 | Fax: 01803 212819

While Stephen P Wales Ltd has made every reasonable effort to ensure the accuracy of this information, Stephen P Wales Ltd does not guarantee that it is error-free, nor does Stephen P Wales Ltd make any other representation, warranty or guarantee that the information is accurate, correct, reliable or current. Stephen P Wales Ltd reserves the right to make any adjustments to the information contained herein at any time without notice.