



Carlo Gavazzi - EM24-DIN.AV5.3.D.02.X - Summary Sheet

Summary

The Carlo Gavazzi EM24 is an exceptional meter packed with features. This CT/VT Operated, 10 Amp model (EM24-DIN.AV5.3.D.02.X) has a wealth of features including a range of 43 parameters which are displayed on the LCD screen. The joystick control ensures easy configuration and navigation. The compact construction means that this unit will use up only 4 modules when it is mounted onto a DIN Rail.

The EM24 records consumption in both directions. It measures line and system parameters for Current (I), Volts (V), Power (W), Apparent Power (VA), Reactive Power (VAr) and Power Factor (PF). It also displays Frequency (Hz) and, System Energy (kWh) and Reactive Energy (kVArh) for Total Imported and Exported Energy and Partial Energy on up to 4 tariffs.

This model comes with 2 pulsed digital outputs that can either be used for pulse proportional to the active and reactive energy or for alarm outputs.

N.B. This meter can be pre-wired into a DIN-Rail or Panel Mounted enclosure. [Click here](#) to see our full range of Enclosures, or [click here](#) to find out more about our Pre-Wiring Service.

Product Code

TPDCGEM240X

Meter Type

Three Phase

Fitting Type

DIN Rail

Max Current (Amps)

10

MID Approved

No

Smart

No

Input Type

Current Transformer

Output Type

Pulse

Tariffs

Multiple

Import / Export

Import & Export

Module Width

4

Availability

5 Day

Condition

New

Brand

Carlo Gavazzi

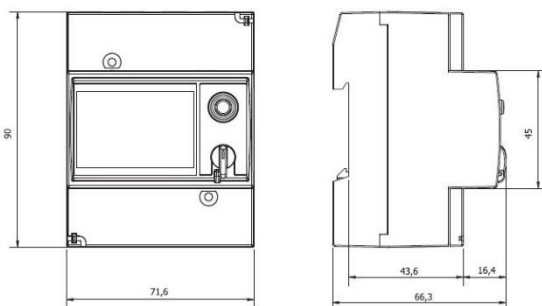
Country of Manufacture

Italy

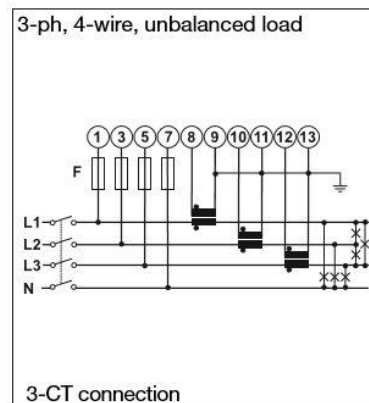
Measured Parameters

Active Energy (kWh)	✓	Line Power Factor (PF)	✓
Active Power (W)	✓	Line Reactive Power (kVAr)	✓
Apparent Energy (kVAh)	✗	Line to Line Voltage (V)	✓
Apparent Power (VA)	✓	Line to Neutral Voltage (V)	✓
Average Current (I)	✗	Maximum Current (I)	✓
Average Power Demands (W)	✗	Maximum Power Demands (W)	✓
Average Voltage (V)	✗	Maximum Voltage (V)	✗
Current (I)	✓	Power Factor (PF)	✓
Current in Neutral (I)	✗	Reactive Energy (kVArh)	✓
Frequency (Hz)	✓	Reactive Power (VAr)	✗
Hours Run (hr)	✓	Total Harmonic Distortion (Amps)	✗
Line Active Power (W)	✓	Total Harmonic Distortion (Volts)	✗
Line Apparent Power (kVA)	✓	Voltage (V)	✗
Line Current (I)	✓		

Dimensions



Wiring Diagram



Web: www.spwales.com | **Email:** sales@spwales.com | **Phone:** 01803 295430 | **Fax:** 01803 212819

While Stephen P Wales Ltd has made every reasonable effort to ensure the accuracy of this information, Stephen P Wales Ltd does not guarantee that it is error-free, nor does Stephen P Wales Ltd make any other representation, warranty or guarantee that the information is accurate, correct, reliable or current. Stephen P Wales Ltd reserves the right to make any adjustments to the information contained herein at any time without notice.