

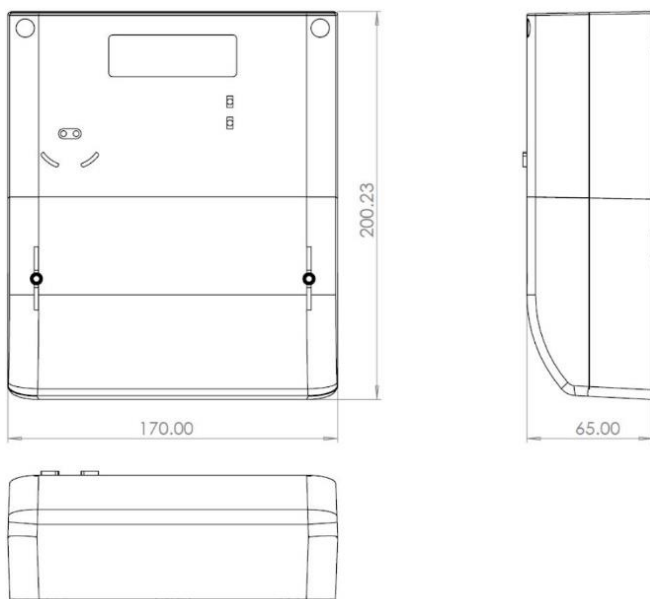


Emlite EMP1 - Summary Sheet

The Emlite EMP1 is a 3-phase credit / check meter that is suitable for a wide range of applications, from simple monitoring to billing & renewables. It simply displays Active Energy (kWh) on its clear 6+2 LCD display so is ideal for people who are just looking to view energy consumed and is highly accurate, (Class B, equivalent to 1% accuracy).

This MID approved, direct connect or whole current meter can measure supplies of up to 100A and features a pulse output that can provide data for collection by an energy management system or AMR data logger.

Dimensions



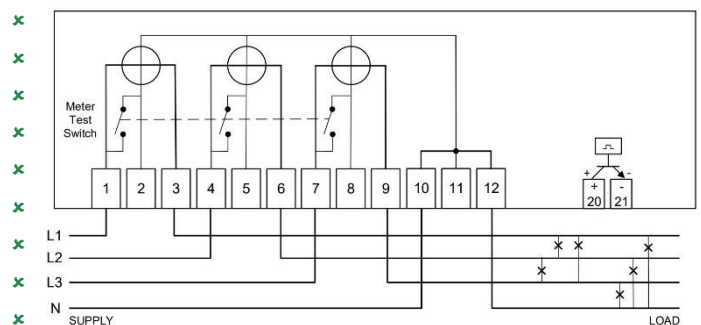
Specification

Part Code	TPWEMP1
Meter Type	Three Phase
Fitting Type	Surface Mount
Max. Current (Amps)	100A
MID Approved	Yes
Smart	No
Input Type	Direct Connect
Output Type	Pulse
Tariffs	Single
Import / Export	Import Only
Availability	Next Day

Measured Parameters

Active Energy (kWh)	✓	Line Power Factor (PF)
Active Power (W) *	✗	Line Reactive Power (kVAR) *
Apparent Energy (kVAh) *	✗	Line to Line Voltage (V)
Apparent Power (VA) *	✗	Line to Neutral Voltage (V) *
Average Current (I)	✗	Maximum Current (I) *
Average Power Demands (W)	✗	Maximum Power Demands (W) *
Average Voltage (V)	✗	Maximum Voltage (V) *
Current (I)	✗	Power Factor (PF) *
Current in Neutral (I)	✗	Reactive Energy (kVArh) *
Frequency (Hz) *	✗	Reactive Power (VAr) *
Hours Run (hr)	✗	Total Harmonic Distortion (Amps)
Line Active Power (W)	✗	Total Harmonic Distortion (Volts)
Line Apparent Power (kVA)	✗	Voltage (V)
Line Current (I) *	✗	

Wiring Guide



Web: www.spwales.com | Email: sales@spwales.com | Phone: 01803 295430 | Fax: 01803 212819

While Stephen P Wales Ltd has made every reasonable effort to ensure the accuracy of this information, Stephen P Wales Ltd does not guarantee that it is error-free, nor does Stephen P Wales Ltd make any other representation, warranty or guarantee that the information is accurate, correct, reliable or current. Stephen P Wales Ltd reserves the right to make any adjustments to the information contained herein at any time without notice.