



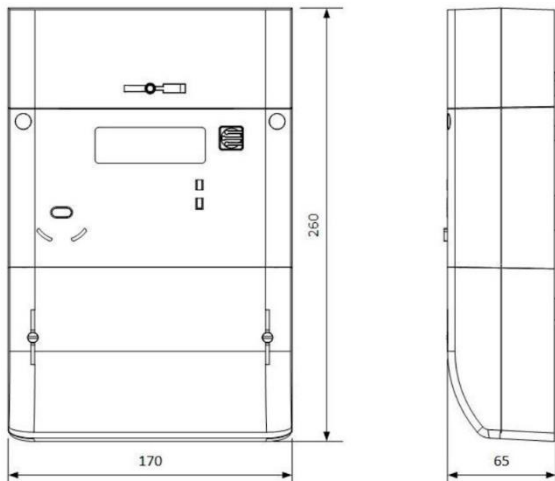
Emlite EMP1.cx - Summary Sheet

The Emlite EMP1.cx is a CT operated smart meter and comes complete with a SIM card, connecting it to the popular MeterOnline remote reading service. This 3-phase meter is MID approved and can be configured for dual tariffs such as Economy 7. It can measure both imported and exported energy, ideal for renewable applications and it is set up to measure the most common electrical parameters such as Energy (kWh), Power (W), Current (I), Power Factor (PF) and Voltage (V).

MeterOnline is an online data collection service for smart meters allowing remote access to meter readings. Multiple meters can be linked to one account and the flexible system allows data to be exported, bills to be generated and email alerts to be created. MeterOnline smart meters are supplied with a unique PIN code allowing for self-registration on the system and they offer a number of packages beginning at £14 per year.

We also offer this meter pre-wired on to a steel enclosure for fast and easy installation on site. Please view our [Three Phase Wall Mount Metering Kit](#) page for more information.

Dimensions



Specification

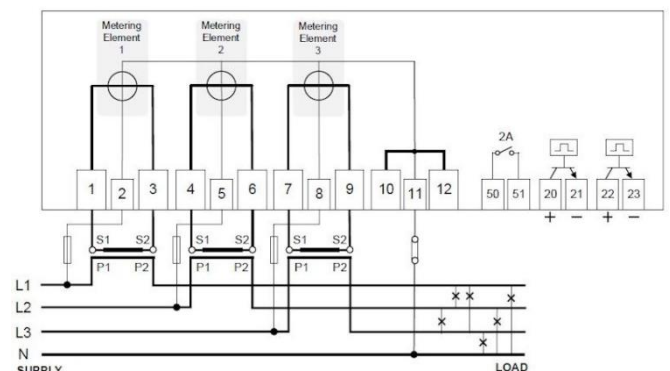
Part Code	TPWEMPAC
Meter Type	Three Phase
Fitting Type	Wall Mounted
Max. Current (Amps)	5A
MID Approved	Yes
Smart	Yes
Input Type	CT Operated
Output Type	n/a
Tariffs	Multiple *
Import / Export	Import & Export
Availability	Next Day

* Can be programmed upon request

Measured Parameters

Active Energy (kWh)	✓	Line Power Factor (PF)	✓
Active Power (W)	✓	Line Reactive Power (kVAr)	✓
Apparent Energy (kVAh)	✓	Line to Line Voltage (V)	✓
Apparent Power (VA)	✗	Line to Neutral Voltage (V)	✗
Average Current (I)	✗	Maximum Current (I)	✗
Average Power Demands (W)	✗	Maximum Power Demands (W)	✓
Average Voltage (V)	✗	Maximum Voltage (V)	✗
Current (I)	✓	Power Factor (PF)	✓
Current in Neutral (I)	✗	Reactive Energy (kVAh)	✓
Frequency (Hz)	✓	Reactive Power (VAR)	✓
Hours Run (hr)	✗	Total Harmonic Distortion (Amps) *	✗
Line Active Power (W)	✓	Total Harmonic Distortion (Volts) *	✗
Line Apparent Power (kVA)	✗	Voltage (V)	✓
Line Current (I)	✓	* Dependant on model selected	

Wiring Guide



Web: www.spwales.com | Email: sales@spwales.com | Phone: 01803 295430 | Fax: 01803 212819

While Stephen P Wales Ltd has made every reasonable effort to ensure the accuracy of this information, Stephen P Wales Ltd does not guarantee that it is error-free, nor does Stephen P Wales Ltd make any other representation, warranty or guarantee that the information is accurate, correct, reliable or current. Stephen P Wales Ltd reserves the right to make any adjustments to the information contained herein at any time without notice.