



Iskra MT382CT - Summary Sheet

Summary

This three phase CT operated smart meter boasts a wealth of functions and comes with MID approval making it suitable for billing purposes. Smart meters can be read remotely and give real time information on your energy usage, allowing you to manage it effectively.

Featuring multiple tariff options and import and export as standard. Highly accurate with extensive security features and secure communication with encryption and authentication.

This meter can be pre-programmed using dedicated software prior to dispatch. Simply select the optional extra and specify the tariff times required.

This Smart Meter is supplied with a Meter Online SIM to enable Automatic Meter Reading, [click here](#) to find out more.

Product Code

Meter Type

Fitting Type

Max Current (Amps)

MID Approved

Smart

Input Type

Output Type

Tariffs

Import / Export

Availability

Condition

Brand

Country of Manufacture

TPWIS382CT

Three Phase

Wall Mounted

6

Yes

Yes

Current

Transformer

Mbus

Multiple

Import & Export

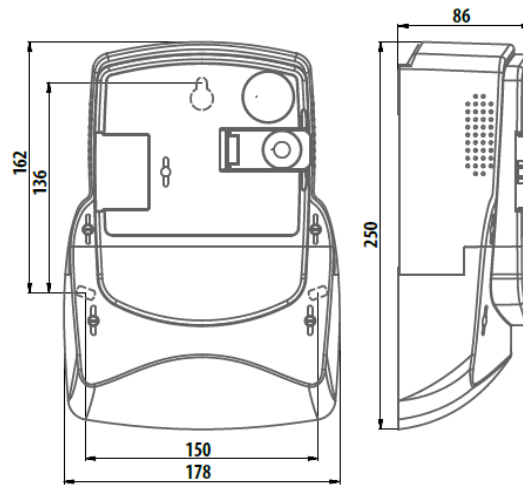
Next Day

New

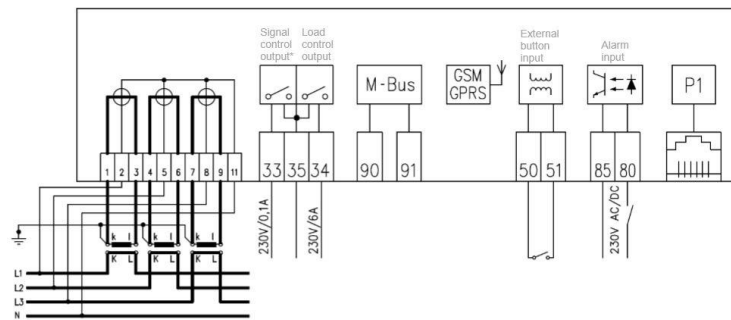
Iskra

Slovenia

Dimensions



Wiring Diagram



* Signal Control Output = Service Control Output

Web: www.spwales.com | Email: sales@spwales.com | Phone: 01803 295430 | Fax: 01803 212819

While Stephen P Wales Ltd has made every reasonable effort to ensure the accuracy of this information, Stephen P Wales Ltd does not guarantee that it is error-free, nor does Stephen P Wales Ltd make any other representation, warranty or guarantee that the information is accurate, correct, reliable or current. Stephen P Wales Ltd reserves the right to make any adjustments to the information contained herein at any time without notice.