



## Iskra MT174 – Dual Tariff Meter - Summary Sheet

### Summary

The Iskra MT174-D2 is quite simply the best wall mounted, direct connect, 3 phase meter on the market with regards to functionality and affordability. The meter is MID approved for billing applications and is manufactured in Europe, (Slovenia).

We have set this model up as a Dual Tariff meter, configured for the most popular dual tariff, Economy 7. The auto-scroll shows Energy (kWh) consumed on Tariff 1, Tariff 2, as well as total Energy consumed on both tariffs. The manual scroll allows you to view the date and time, and you'll never need to worry about the clocks going forward or back, as the time on this meter will change automatically. Other tariff times, as well as a number of other parameters can be pre-programmed on to the meter as an optional extra.

This meter has a single pulse output and an RS485 connection. It is suitable for use in three phase 3-and 4-wire networks as well as single phase 2-wire networks.

### Product Code

TPWISD

### Meter Type

Three Phase

### Fitting Type

Wall Mount

### Max Current (Amps)

120

### MID Approved

Yes

### Smart

No

### Input Type

Direct Connect

### Output Type

RS485 & Pulse

### Tariffs

Dual Tariff

### Import / Export

Import Only

### Availability

Next Day

### Condition

New

### Brand

Iskra

### Country of Manufacture

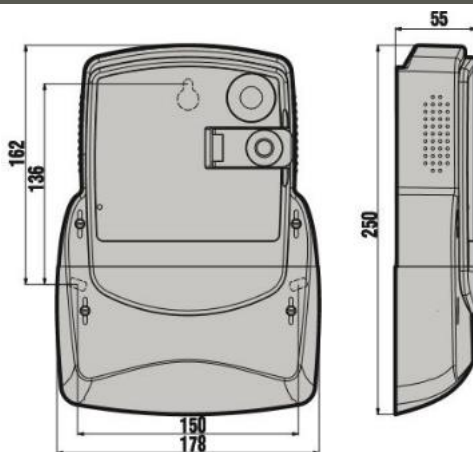
Slovenia

### Measured Parameters

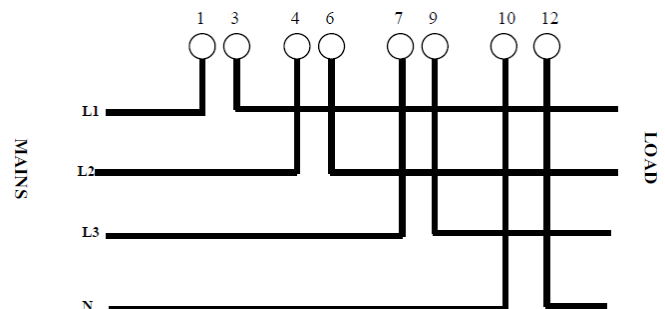
Active Energy (kWh)	✓	Line Power Factor (PF)	✗
Active Power (W) *	✓	Line Reactive Power (kVAr) *	✓
Apparent Energy (kVAh) *	✓	Line to Line Voltage (V)	✗
Apparent Power (VA) *	✓	Line to Neutral Voltage (V) *	✓
Average Current (I)	✗	Maximum Current (I) *	✓
Average Power Demands (W)	✗	Maximum Power Demands (W) *	✓
Average Voltage (V)	✗	Maximum Voltage (V) *	✓
Current (I) *	✓	Power Factor (PF) *	✓
Current in Neutral (I)	✗	Reactive Energy (kVArh) *	✓
Frequency (Hz) *	✓	Reactive Power (VAr) *	✓
Hours Run (hr)	✗	Total Harmonic Distortion (Amps)	✗
Line Active Power (W) *	✓	Total Harmonic Distortion (Volts)	✗
Line Apparent Power (kVA)	✗	Voltage (V) *	✓
Line Current (I) *	✓		

\* These parameters can be pre-programmed on to the meter as an optional extra.

### Dimensions



### Wiring Diagram



Web: [www.spwales.com](http://www.spwales.com) | Email: [sales@spwales.com](mailto:sales@spwales.com) | Phone: 01803 295430 | Fax: 01803 212819

While Stephen P Wales Ltd has made every reasonable effort to ensure the accuracy of this information, Stephen P Wales Ltd does not guarantee that it is error-free, nor does Stephen P Wales Ltd make any other representation, warranty or guarantee that the information is accurate, correct, reliable or current. Stephen P Wales Ltd reserves the right to make any adjustments to the information contained herein at any time without notice.