



Itron Aquadis Cold Water Meter - Summary Sheet

Summary

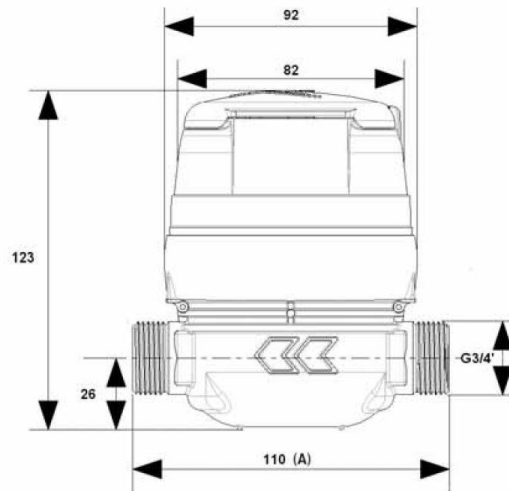
The Aquadis Cold Water Meter is made by Itron, one of the world's leading providers of utility metering. This MID approved meter is a piston type volumetric meter effective for water temperatures below 30°C. The rotating face makes this meter easy to read in any orientation and displays water consumption in m³ on its 8-digit roller dial display, (3 decimal places).

Product Code	WMIT15C
Max Flow Rate	2.0m³/h
Connection	15mm (½")
MID Approved	Yes
Output Type	Mbus
Availability	Next Day

Supplied complete with 15mm couplers and seals, this meter is accurate to 2% between 16 litres per hour and its maximum flow-rate of 2,000 litres per hour.

This meter comes complete with an Mbus cyble for use with Building Management Systems or in conjunction with your MeterPay electricity meter for a multi utility prepayment metering solution.

Dimensions



meterpay

**The Smart Solution
to Secondary
Prepayment**

-  No more card distribution -
No more coin collection
-  Single & Three Phase models
available
-  Simple remote meter
management for owners
-  Convenient top up methods for
tenants
-  The most secure prepayment
solution on the market



[find out more](#)

Web: www.spwales.com | Email: sales@spwales.com | Phone: 01803 295430 | Fax: 01803 212819

While Stephen P Wales Ltd has made every reasonable effort to ensure the accuracy of this information, Stephen P Wales Ltd does not guarantee that it is error-free, nor does Stephen P Wales Ltd make any other representation, warranty or guarantee that the information is accurate, correct, reliable or current. Stephen P Wales Ltd reserves the right to make any adjustments to the information contained herein at any time without notice.