



Itron Aquadis 15mm Hot Water Meter - Summary Sheet

Summary

The Aquadis Hot Water Meter is made by Itron, one of the world's leading providers of utility metering. This MID approved meter is a piston type volumetric meter effective for measuring water with a temperature as high as 90°C. The rotating face makes this meter easy to read in any orientation and displays water consumption in m³ on its 8-digit roller dial display, (3 decimal places).

Product Code

WMIT15H

Max Flow Rate

2.0m³/h

Connection

15mm (½")

MID Approved

Yes

Output Type

Mbus

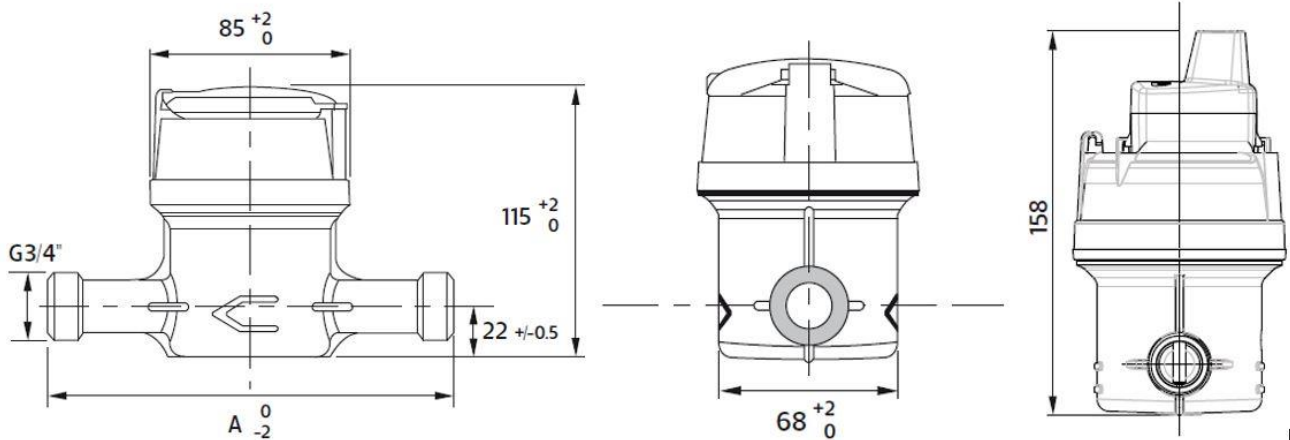
Availability

Next Day

Supplied complete with 15mm couplers and seals, this meter is accurate to 2% between 16 litres per hour and its maximum flow-rate of 2,000 litres per hour.

This meter comes complete with an Mbus cycle for use with Building Management Systems or in conjunction with your MeterPay electricity meter for a multi utility prepayment metering solution.

Dimensions



meterpay

The Smart Solution to Secondary Prepayment

-  No more card distribution - No more coin collection
-  Single & Three Phase models available
-  Simple remote meter management for owners
-  Convenient top up methods for tenants
-  The most secure prepayment solution on the market

[find out more](#)



Web: www.spwales.com | Email: sales@spwales.com | Phone: 01803 295430 | Fax: 01803 212819

While Stephen P Wales Ltd has made every reasonable effort to ensure the accuracy of this information, Stephen P Wales Ltd does not guarantee that it is error-free, nor does Stephen P Wales Ltd make any other representation, warranty or guarantee that the information is accurate, correct, reliable or current. Stephen P Wales Ltd reserves the right to make any adjustments to the information contained herein at any time without notice.